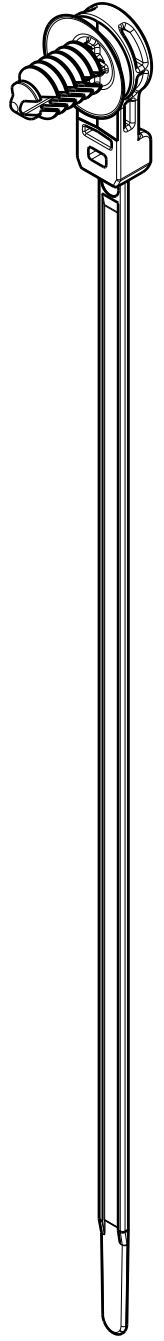
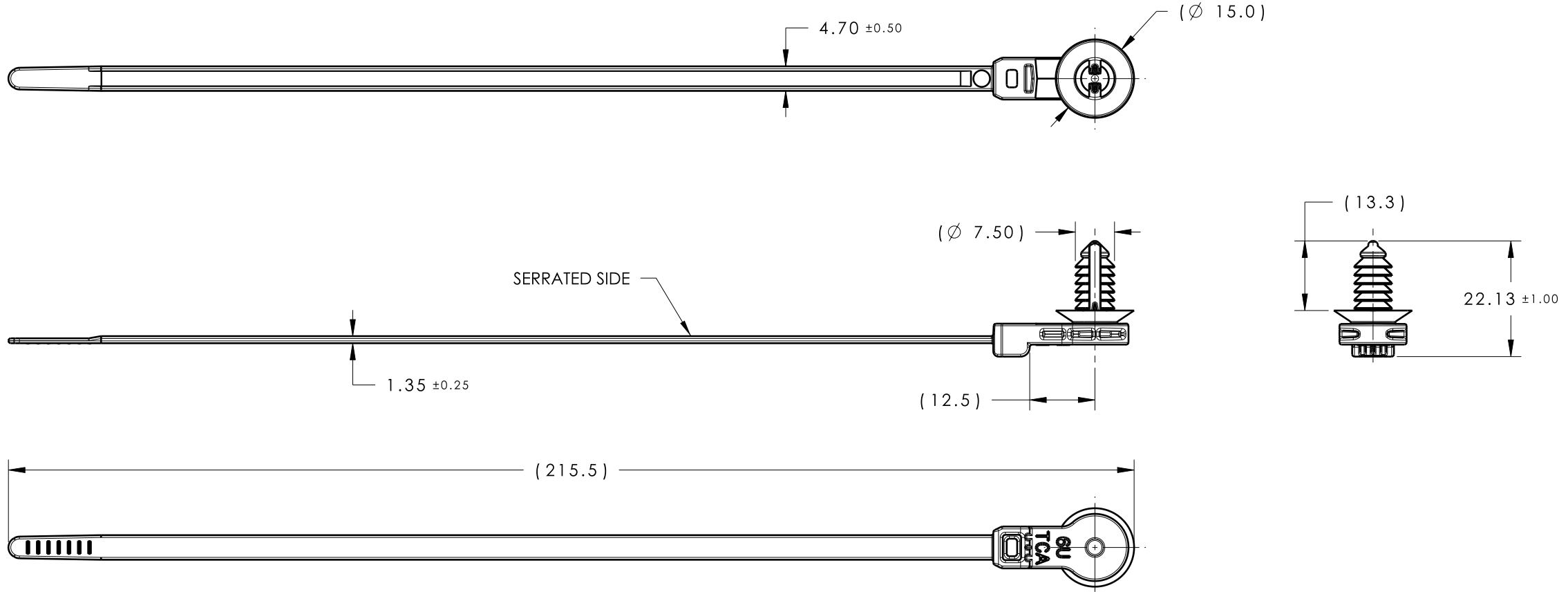
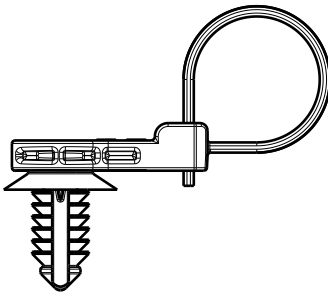


Revision Level			Revision Record	Changed	Date	Approved	Date
Drawing	State	Part					
00.0	Design Release	-	SEE ECN# 014983	KVH	03/08/19	EJF	03/11/19



ISOMETRIC VIEW



ASSEMBLY VIEW

- REFERENCE:
 PERFORMANCE REQUIREMENTS:
 1. FIR TREE PUSH IN FORCE: 45 NEWTONS (10 LBS) MAX IN THE APPLICABLE NOMINAL HOLE SIZE AND A PLATE THICKNESS OF 1.8mm.
 2. FIR TREE PULL OUT FORCE: 110 NEWTONS (25 LBS) MIN IN THE APPLICABLE NOMINAL HOLE SIZE AND A PLATE THICKNESS OF 1.8mm.
 3. SHEET METAL THICKNESS RANGE: 0.60mm - 6.65mm
 4. APPLICABLE HOLE SIZE:
 A. 6.5mm +0.5/- 0.4
 B. 6.35mm +/- 0.25 HEX
 5. CABLE TIE MIN LOOP TENSILE STRENGTH: 225 NEWTONS (50 LBS)
 6. BUNDLE RANGE: 2.0mm TO 50.0mm
 7. MAXIMUM PERCENT REGRIND PERMISSIBLE: 25%
 8. MAX ALLOWABLE FLASH OR MISMATCH TO BE: 0.25mm

GLOBAL PART DESCRIPTION	MATERIAL	COLOR
T50ROSFT6SO12.5A-PA46-BN	PA46	BROWN

Material SEE CHART COLOR: SEE CHART	Units	millimeters	The copyright of this drawing is reserved by HellermannTyton. It is issued on condition that it is not reproduced, copied or disclosed to a third party, either wholly or in part, without the consent of HellermannTyton.	Drawn	KVH	03/08/19	Article/Type-No	T50ROSFT6SO12.5A	Scale	1:1
	Tolerance defined on each dimension			Approved	EJF	03/11/19	Title	T50ROS WITH 12.5mm OFFSET AND FT6 FIR TREE (A SERIES)	Project Number	11-0581
				North America Email: corp@htamericas.com Web: www.hellermann.tyton.com		Drawing-No	PRODUCTION : Phase	Format	B	
				11-0581-002-CSU		Sheet	1/1			