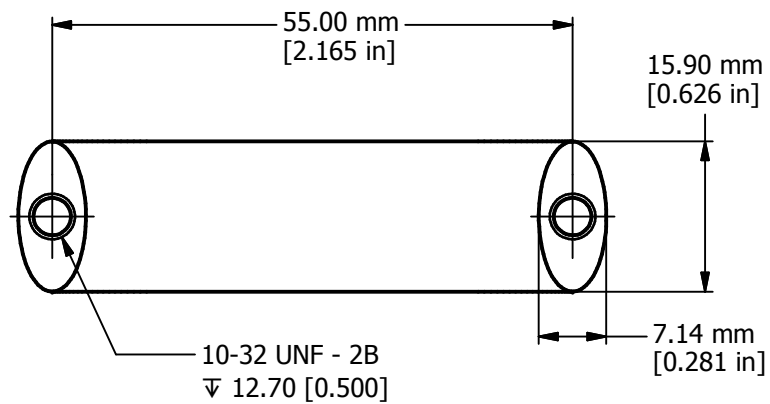


TYPICAL HANDLE ASSEMBLY



1427C3AL & BK
Handle Material - Aluminum
Finish - Clear Anodized (1427C3AL)
- Black Anodized (1427C3BK)
Hardware
2 Screws - Panhead 10-32 x 1/2"
2 Internal Tooth Lockwashers
**note handle sold singly

