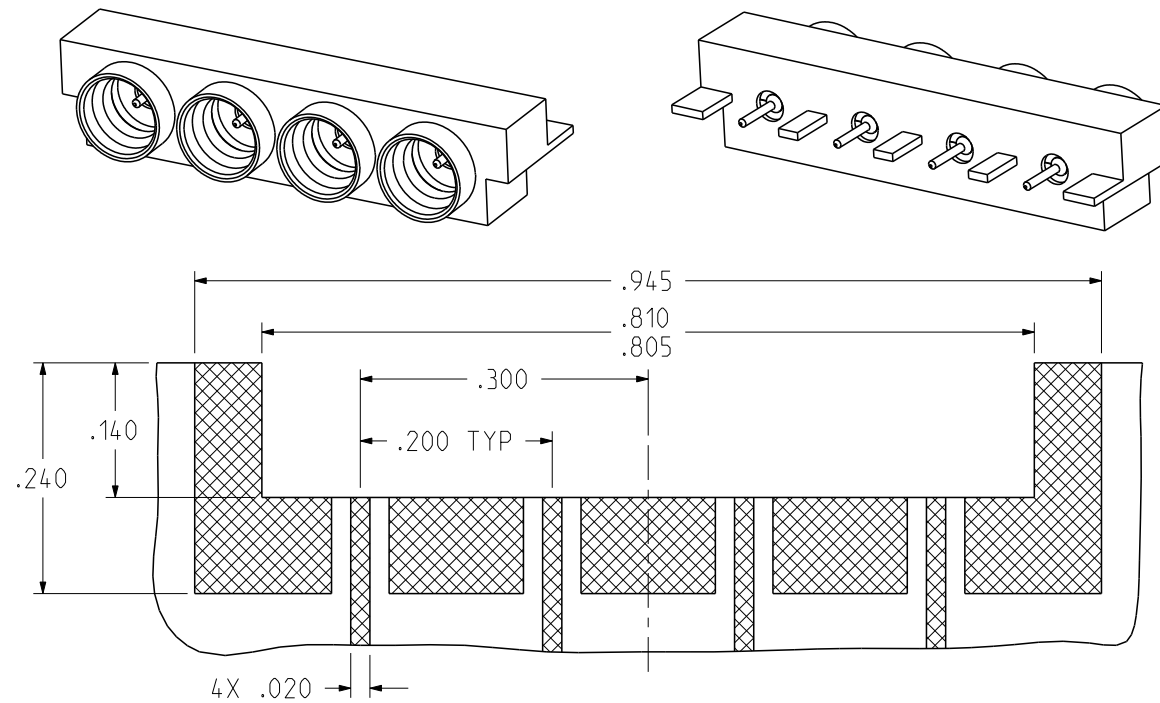


PART NUMBER	ITEM ① INTERFACE INSERT	ITEM ② BASE	ITEM ③ CONTACT	ITEM ④ INSULATOR
127-1701-831	BERYLLIUM COPPER GOLD PL .00005 MIN OVER NICKEL PL .00005 MIN OVER COPPER PL	BRASS GOLD PL .00001 MIN OVER NICKEL PL .00005 MIN OVER COPPER PL	BERYLLIUM COPPER GOLD PL .00005 MIN OVER NICKEL PL .00005 MIN OVER COPPER PL	TEFLON

REV	ECO	DATE
1	INITIAL RELEASE	29APR2020
2	EC-2209005	14SEP2022



RECOMMENDED PCB LAYOUT

NOTE: THIS PATTERN IS FOR REFERENCE ONLY.
PATTERN MAY VARY DEPENDING ON ASSEMBLY
PROCESS, BOARD TYPE, OR SPECIFIC ELECTRICAL OR
MECHANICAL REQUIREMENTS.

NOTES:

1. ELECTRICAL SPECIFICATIONS:

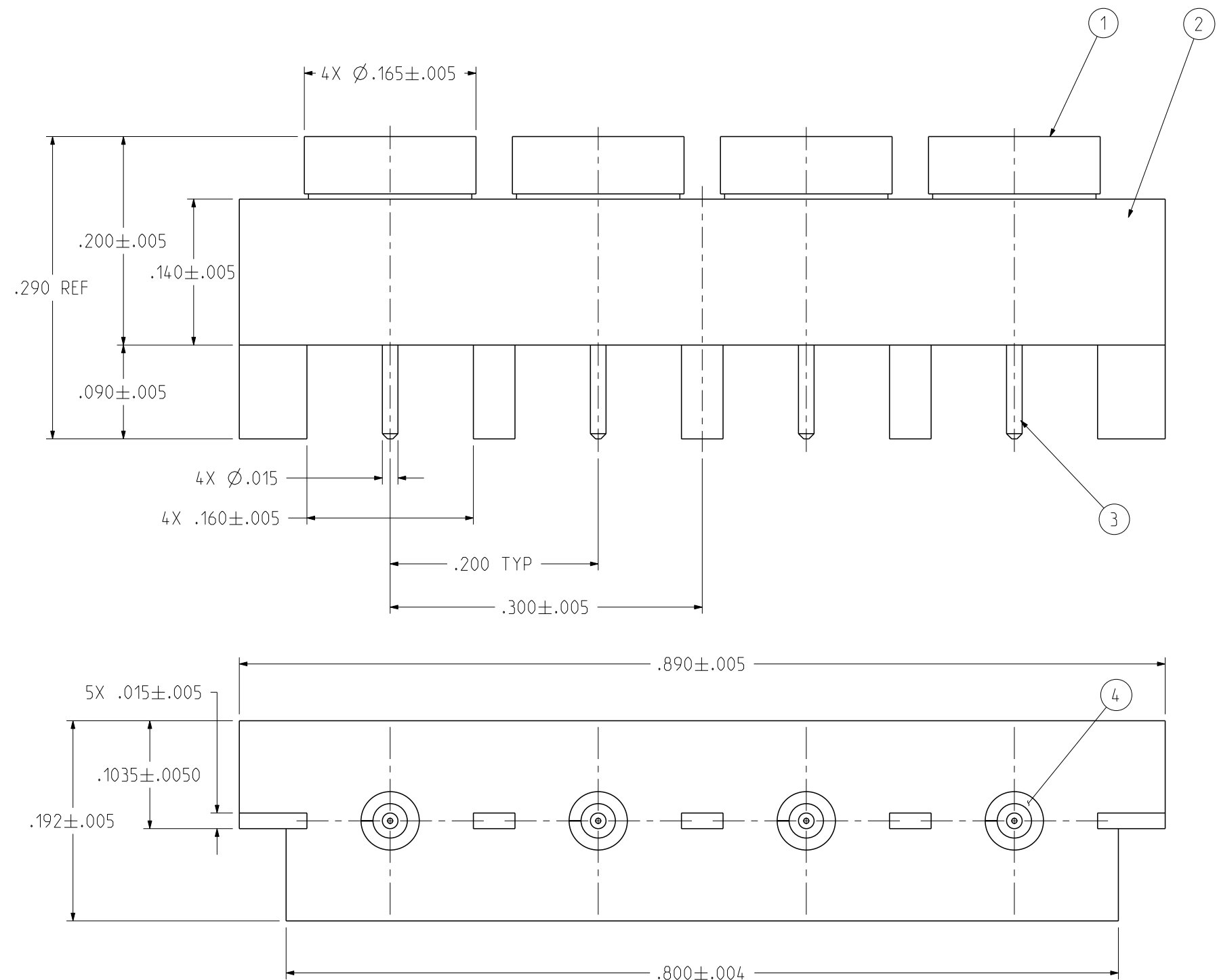
- 1.1 IMPEDANCE: 50 OHMS NOMINAL
- 1.2 FREQUENCY RANGE: DC-40 GHz
- 1.3 VSWR: 1.15 MAX TO 26.5 GHz, 1.50 MAX TO 40 GHz
- 1.4 WORKING VOLTAGE: 335 VRMS MAX AT SEA LEVEL
- 1.5 DIELECTRIC WITHSTANDING VOLTAGE: 500 VRMS MIN AT SEA LEVEL
- 1.6 INSULATION RESISTANCE: 5000 MEGOHM MIN
- 1.7 CONTACT RESISTANCE:
 - 1.7.1 CENTER CONTACT - INTIAL 6.0 MILLIOHM MAX, AFTER ENVIRONMENTAL NOT APPLICABLE
 - 1.7.2 OUTER CONDUCTOR - INITIAL 2.0 MILLIOHM MAX, AFTER ENVIRONMENTAL NOT APPLICABLE
- 1.8 INSERTION LOSS: $0.06\sqrt{F}$ (GHz) dB MAX
- 1.9 CORONA LEVEL: 190 VOLTS MINIMUM AT 70,000 FEET
- 1.10 RF HIGH POTENTIAL WITHSTANDING VOLTAGE: 325 VRMS MIN AT 4 AND 7 MHZ

2. MECHANICAL SPECIFICATIONS:

- 2.1 INTERFACE DESIGN: IN ACCORDANCE WITH MIL-STD-348, SERIES SMP
- 2.2 ENGAGEMENT FORCE: 10 LBS MAX (LIMITED DETENT)
- 2.3 DISENGAGEMENT FORCE: 2 LBS MIN (LIMITED DETENT)
- 2.4 DURABILITY: 500 CYCLES MIN (LIMITED DETENT)

3. ENVIRONMENTAL:

- 3.1 OPERATING TEMPERATURE: -65 °C TO 165 °C
- 3.2 THERMAL SHOCK: MIL-STD-202, METHOD 107, CONDITION B, EXCEPT 165°C HIGH TEMP
- 3.3 MECHANICAL SHOCK: MIL-STD-202, METHOD 213, CONDITION I
- 3.4 CORROSION: MIL-STD-202, METHOD 101, CONDITION B
- 3.5 VIBRATION: MIL-STD-202, METHOD 204, CONDITION D
- 3.6 MOISTURE RESISTANCE: MIL-STD-202, METHOD 106, EXCEPT STEP 7B OMITTED



	Model No: 127-1701-831/840	JOHNSON	
	RoHS (EU)/2015/863 COMPLIANT	Title: SMP MALE LIMITED DETENT 4-PORT PCB EDGE MOUNT	
<small>UNLESS OTHERWISE SPECIFIED UNITS: INCH</small> .XX ± .01 .XXX ± .003 .XXXX ± .0010 ANGLE ± 2°	3RD ANGLE PROJECTION	Drawing No: 127-1701-831/840	REV. 2
	Drawn by: TOMMY REN	Date: 04/29/2020	Size B DO NOT SCALE DRAWING
<small>INTERPRET DRAWING IN ACCORDANCE WITH ASME Y14.5-2009.</small>	Workmanship Std: NONE	Sheet 1 OF 1	