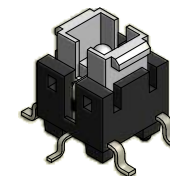
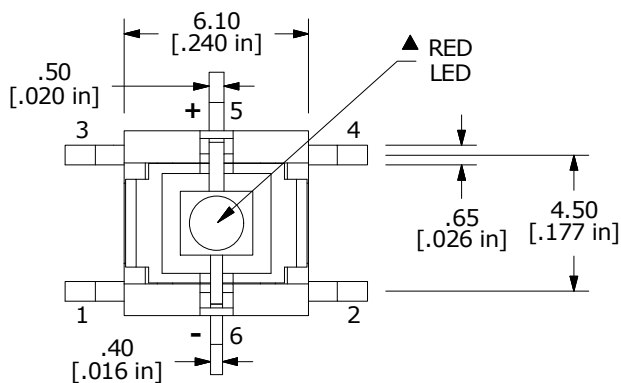


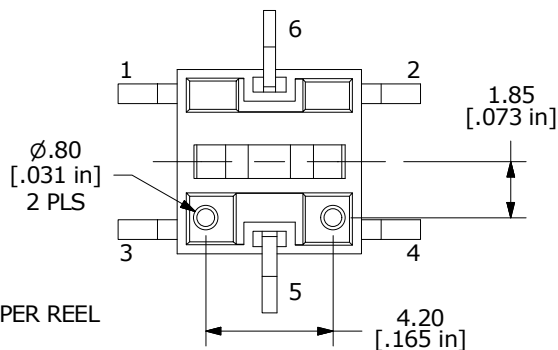
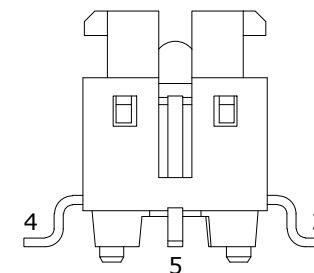
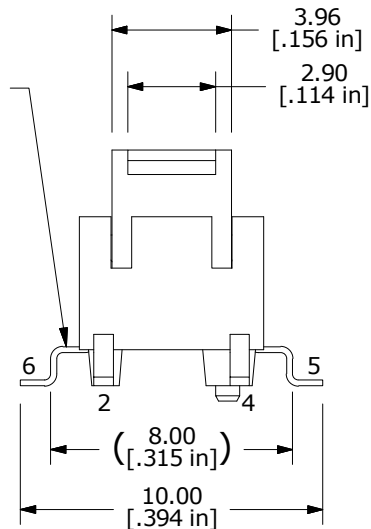
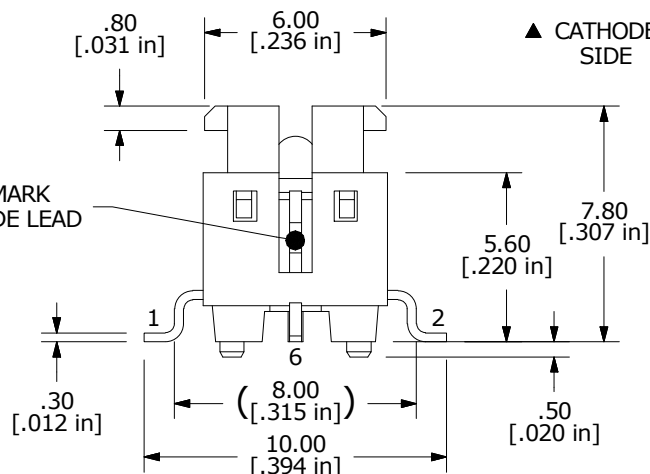
▲ CIRCUIT: SPST

NOTES:

1. ALL DIMENSIONS IN MM [INCH]
2. GENERAL TOLERANCE: X.X = ±0.4
X.XX = ±0.25
3. CONTACT RATING: 50mA @ 12VDC
4. CONTACT RESISTANCE: 100 mΩ MAX.
5. INSULATION RESISTANCE: 100MΩ MIN @ 500VDC.
- ▲ 6. OPERATING FORCE: 260 ± 50gf
7. TRAVEL: 0.2 ± 0.1mm
8. OPERATING TEMPERATURE: -25°C to +70°C
9. OPERATING LIFE: 200,000 CYCLES
- ▲ 10. LED: RED
11. ▲ DENOTES CRITICAL PARAMETERS
12. 2011/65/EU (ROHS) COMPLIANT
13. PARTS TO BE PACKAGED IN TAPE & REEL, 450 PIECES PER REEL



▲ COLOR MARK ON CATHODE LEAD



▲ LED SPECS	UNITS	RED
FORWARD CURRENT	mA	20
FORWARD VOLTAGE @20mA	V	2.0 TYP; 2.3 MAX
LUMINOUS INTENSITY @ 20mA	mcd	1000 TYP



REV	PCR NO	DESCRIPTION	DATE	BY
D	22949	update and correct + / - on pcb layout	8/7/17	MW
C	20894	ANODE WAS CATHODE	11/27/12	EBP
B	20570	Chg T&R Qty from 500 to 450	4/25/12	rc
A	20373	New Release	12/12/11	rc

TITLE TL3240F260R

SCALE	DATE	DR	DWG	REV
4:1	12/12/2011	rc	N324006	D