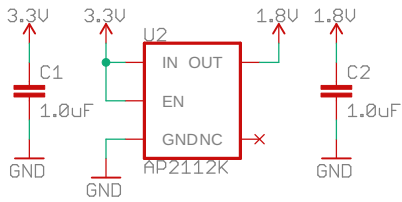
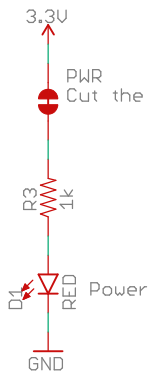
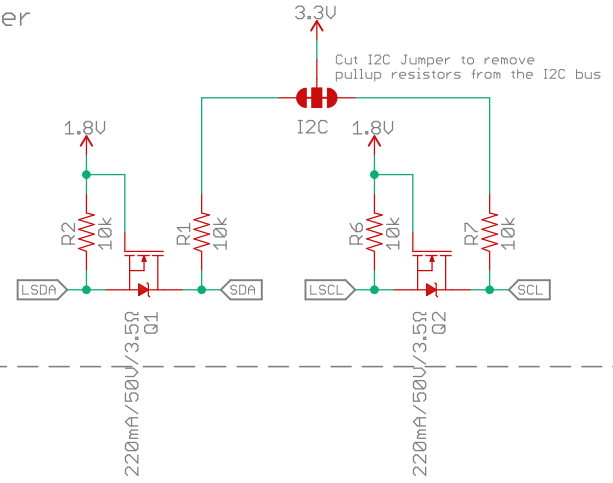


Voltage Regulator

VIN: 2.5-6.0V

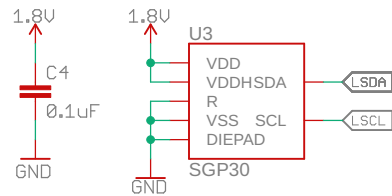


Bi-Directional Level Shifter



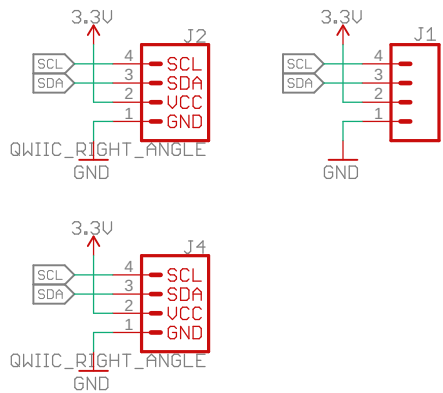
PWR
Cut the PWR jumper to disable the PWR LED

SGP30



7-bit unshifted I2C address: 0x58

Connectors



Released under the Creative Commons Attribution Share-Alike 4.0 License
<https://creativecommons.org/licenses/by-sa/4.0/>



TITLE: SGP30 Breakout

Design by: Ciara Jekel
 Revision By: Andy England

REV: v10

Date: 5/14/2020 11:31 AM

Sheet: 1/1