

Application

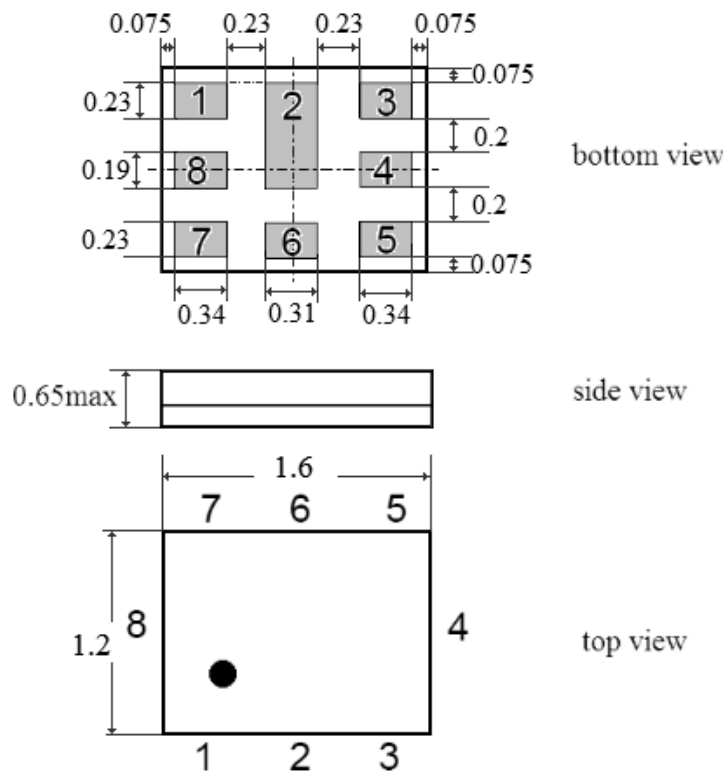
- ❖ Low loss Saw Duplexer for mobile telephone LTE Band WCDMA Band 8 systems.
- ❖ Low insertion attenuation and low passband ripple.
- ❖ Usable passband 35 MHz
- ❖ High isolation between Tx and Rx.

Electrical Specifications

| Parameters | | | Value | Unit | |
|-----------------|--------------------------------|-----|---------------------|-----------|-----|
| TX to ANT | Insertion Loss, typ/max | | 880 ~ 915 MHz | 1.7 / 2.5 | dB |
| | Amplitude Ripple, typ/max | | 880 ~ 915 MHz | 0.7 / 2.0 | dB |
| | VSWR, typ/max | ANT | 880 ~ 915 MHz | 1.5 / 2.1 | - |
| | | Tx | | 1.5 / 2.1 | - |
| | Input Power (+50°C, 5000h, CW) | | 880 ~ 915 MHz | +30 | dBm |
| | Attenuation, min/typ | | 10 ~ 862 MHz | 30 / 35 | dB |
| | | | 925 ~ 960 MHz | 45 / 55 | dB |
| | | | 1559 ~ 1605 MHz | 38 / 43 | dB |
| | | | 1710 ~ 1785 MHz | 42 / 47 | dB |
| | | | 1760 ~ 2025 MHz | 45 / 50 | dB |
| | | | 2110 ~ 2200 MHz | 45 / 54 | dB |
| | | | 2400 ~ 2500 MHz | 45 / 53 | dB |
| | | | 2496 ~ 2690 MHz | 45 / 58 | dB |
| 3300 ~ 4200 MHz | | | 40 / 50 | dB | |
| 4400 ~ 5000 MHz | | | 40 / 50 | dB | |
| 5150 ~ 5950 MHz | 40 / 46 | dB | | | |
| ANT TO RX | Insertion Loss, typ/max | | 925 ~ 960 MHz | 2.0 / 2.6 | dB |
| | Pass Band Ripple | | 925 ~ 960 MHz | 1.0 / 2.0 | dB |
| | VSWR, typ/max | ANT | 925 ~ 960 MHz | 1.7 / 2.0 | - |
| | | Rx | | 1.7 / 2.0 | - |
| | Attenuation, min/typ | | 10 ~ 870 MHz | 48 / 55 | dB |
| | | | 880 ~ 915 MHz | 50 / 56 | dB |
| | | | 1427.9 ~ 1449.9 MHz | 50 / 60 | dB |
| | | | 1710 ~ 1785 MHz | 50 / 58 | dB |
| | | | 1920 ~ 1980 MHz | 50 / 55 | dB |
| | | | 2300 ~ 2400 MHz | 40 / 52 | dB |
| | | | 2400 ~ 2500 MHz | 40 / 52 | dB |
| | | | 2496 ~ 2690 MHz | 40 / 52 | dB |
| | | | 3300 ~ 4200 MHz | 40 / 50 | dB |
| 4400 ~ 5000 MHz | | | 40 / 50 | dB | |
| 5150 ~ 5950 MHz | 40 / 50 | dB | | | |
| Tx to Rx | Isolation, min/typ | | 880 ~ 915 MHz | 53 / 58 | dB |

| | | | | |
|---|--|----------------------|-----------|----|
| | | 925 ~ 960 MHz | 53 / 58 | dB |
| DC Voltage VDC | | | 3 | V |
| ESD Voltage ESD (MM) | | | 50 | V |
| Sensitive Discharge Device ESD (HBM) | | | 175 | V |
| Operating Temperature Range | | | -30 ~ +85 | °C |
| Storage Temperature Range | | | -40 ~ +85 | °C |
| MSL | | | 2 | - |

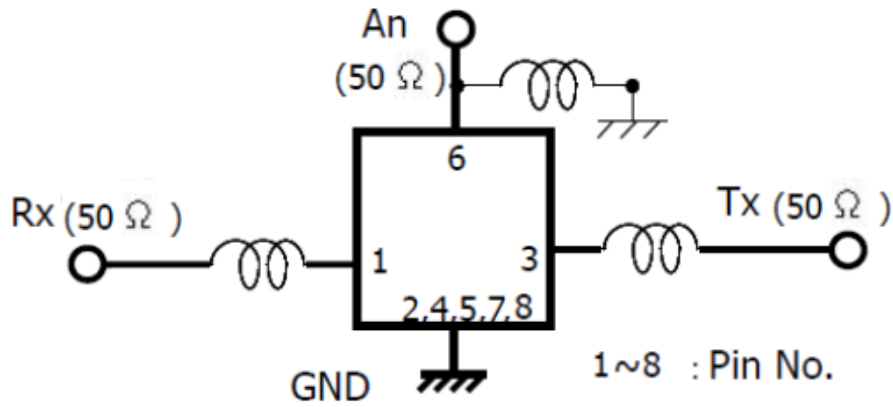
Dimension



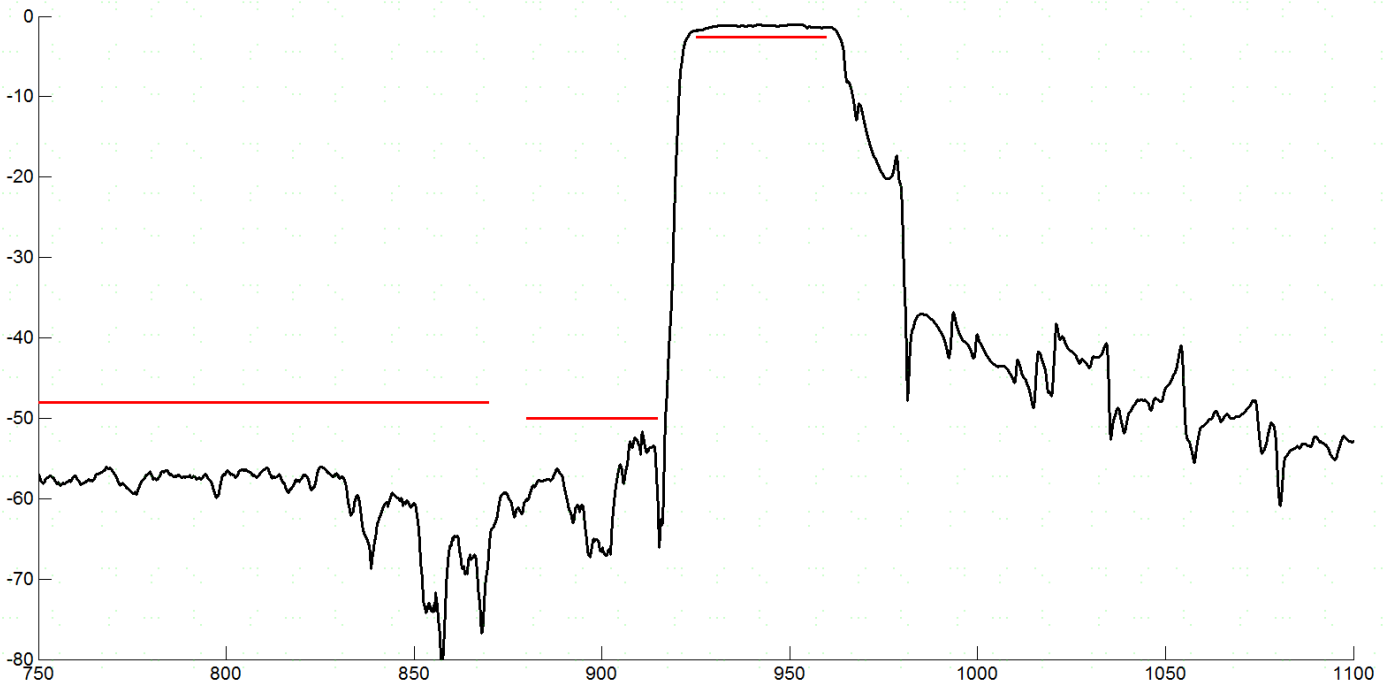
Unit: mm

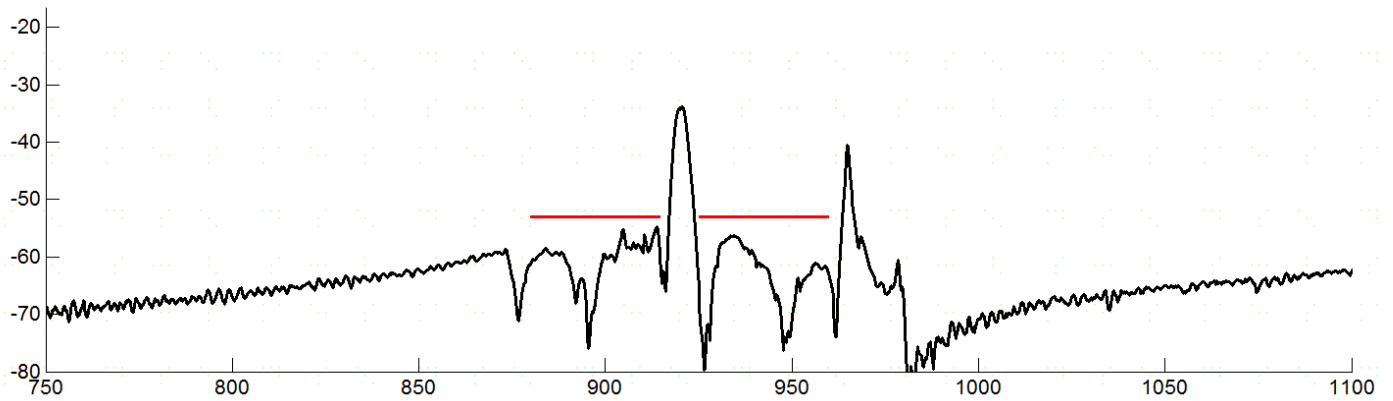
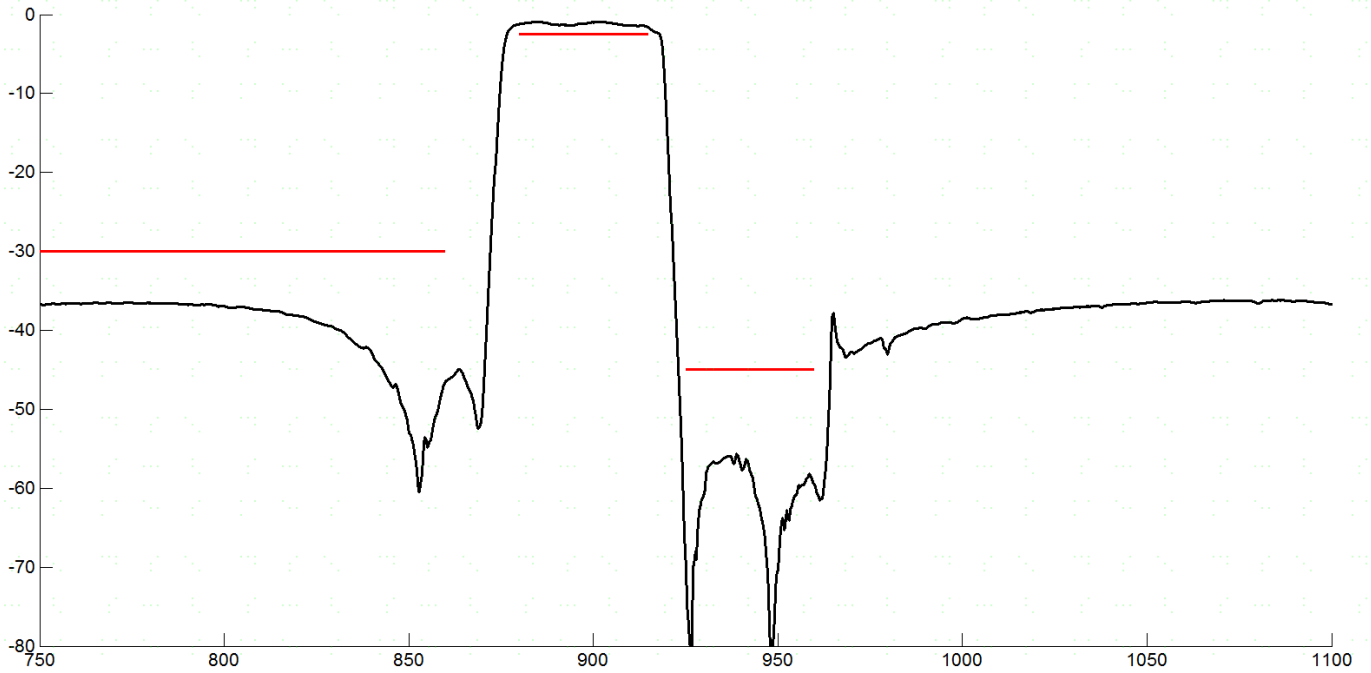
| PIN | SYMBOL | FUNCTION |
|-----------|--------|-----------|
| 1 | Rx | Rx Output |
| 2,4,5,7,8 | GND | Ground |
| 3 | Tx | Tx Input |
| 6 | ANT | Antenna |

Test Circuit

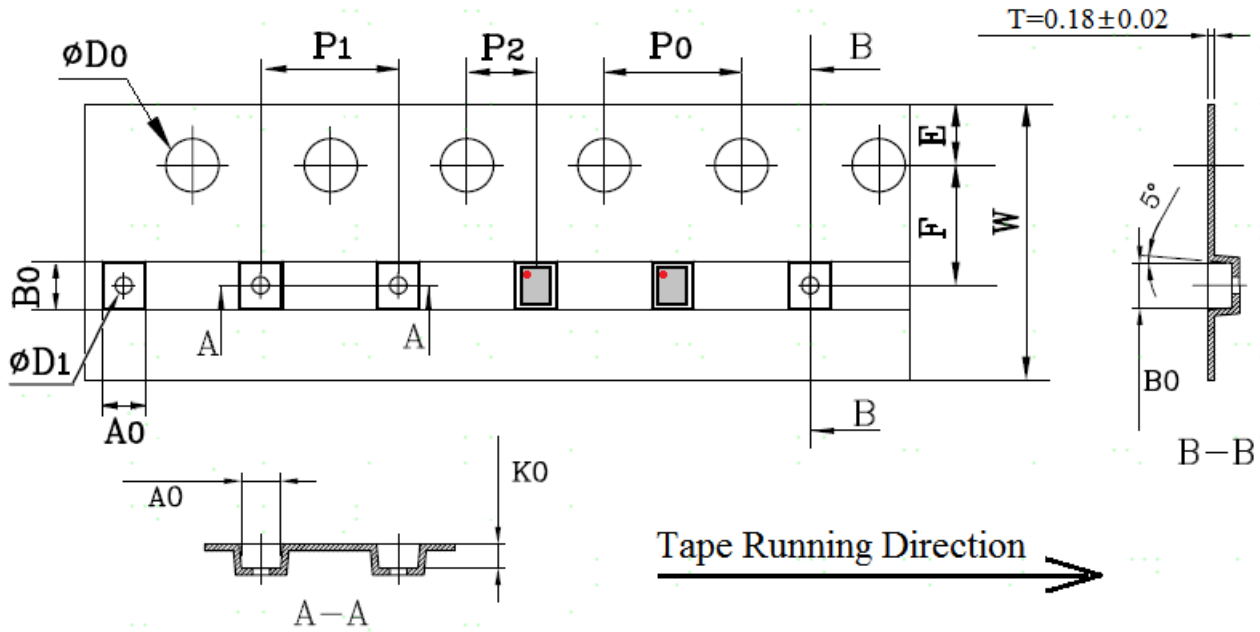


Frequency Characteristics





Tape Dimension



| P1 | P2 | P0 | E | F | W | D0 | D1 | A0 | B0 | K0 |
|--------|-------|-------|-----------|---------|-----------------------------------|----------|----------|------------|-----------|-----------|
| 4± 0.1 | 2±0.1 | 4±0.1 | 1.75± 0.1 | 3.5±0.1 | 8 ^{+0.3} _{-0.1} | 1.5±0.05 | 0.5±0.05 | 1..45±0.05 | 1.85±0.05 | 0.80±0.05 |

Unit : mm

APPROVAL

| | |
|-------------|---------------------|
| DRAWN BY | AR, August 10, 2021 |
| APPROVED BY | CP, August 10, 2021 |
| REVISION | A, Initial Release |



Raltron Electronics / RAMI Technology USA, LLC, including its affiliates, employees, agents and other persons acting on its behalf (collectively Raltron/RAMI Tech), disclaim any and all liability for any errors or inaccuracies contained in this data sheet. While Raltron/RAMI Tech has made every reasonable effort ensure the accuracy of all product information, specifications and data contained herein, Raltron/RAMI Tech does not guarantee that the information is accurate, reliable or current. The product information is provided only for reference purposes only and is subject to change, correction or revision, at any time without notice. Raltron/RAMI Tech does not assume any liability arising out of an application or use of any product described herein and disclaims any warranties expressed or implied. The user of products in such applications shall assume all risks of such use and will agree to hold Raltron/RAMI Tech, harmless against all damages.

Copyright © 2016, Raltron Electronics / RAMI Technology USA, LLC. All rights reserved. No part of this document may be reproduced in any form without the prior written permission of Raltron Electronics / RAMI Technology USA, LLC.