

# NXP DEVKIT-COMM

Table of Contents	
01	BLOCK DIAGRAM AND NOTES
02	CAN & LIN
03	IO HEADERS

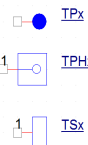
Revisions			
Rev	Description	Designer	Date
X	Initial Draft A070 Release	J.Sanchez	05/29/15
A		J.Sanchez	

3 Different test points used in design:

TPx - Test point pad

TPHx - Through Hole Pad Large (for standard 0.1" header). Also used on IO Matrix (IOMx)

TSx - Surface Mount Wire Loop



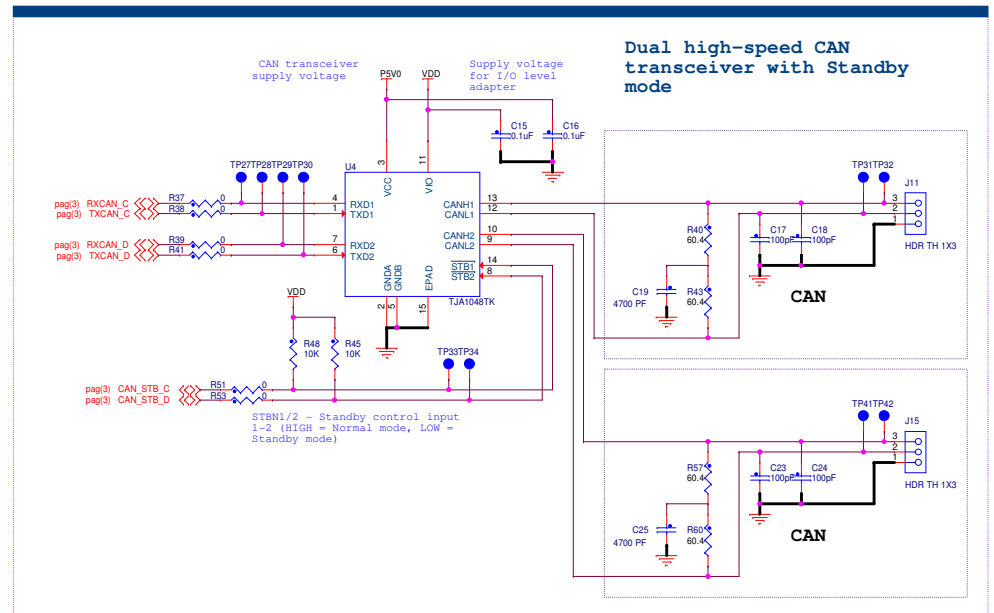
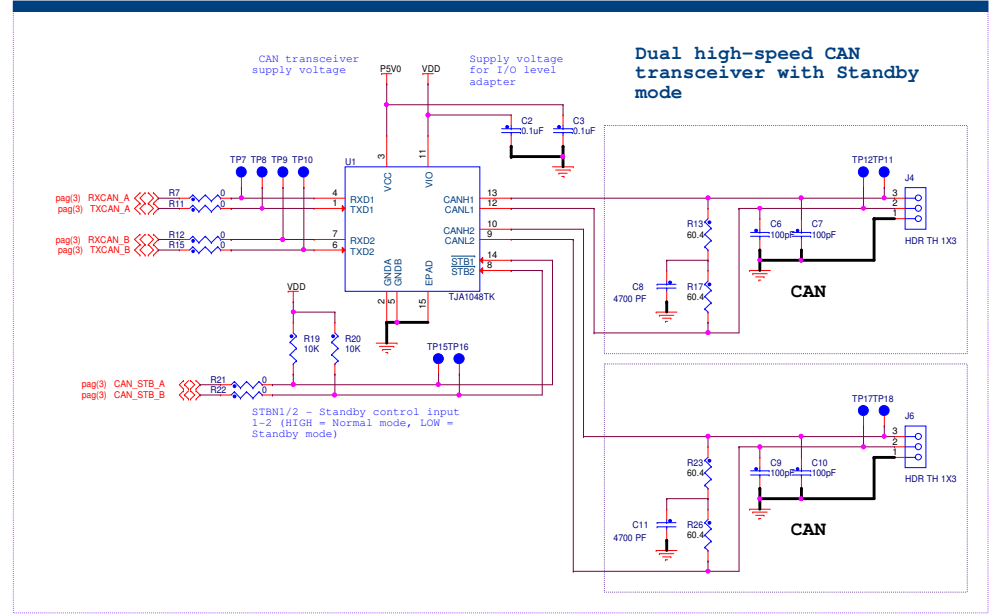
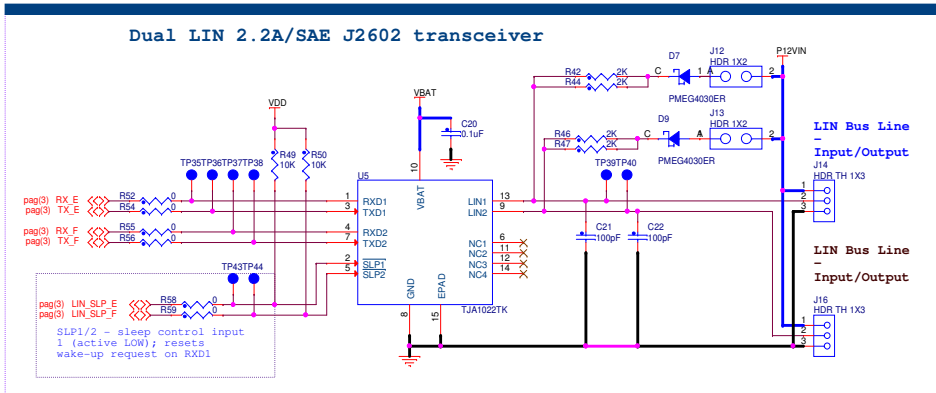
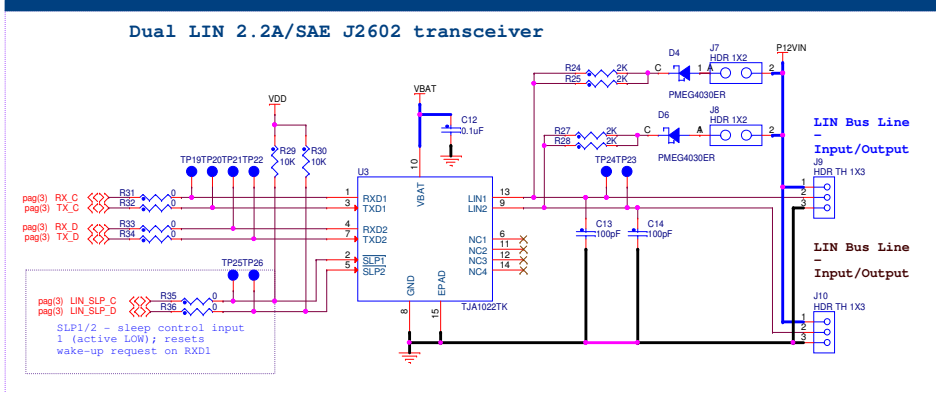
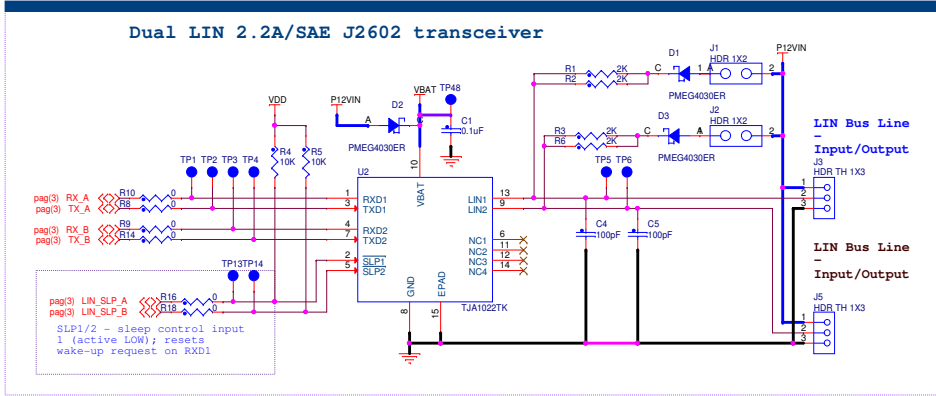
User notes are given throughout the schematics.

*Specific PCB LAYOUT notes are detailed in ITALICS*

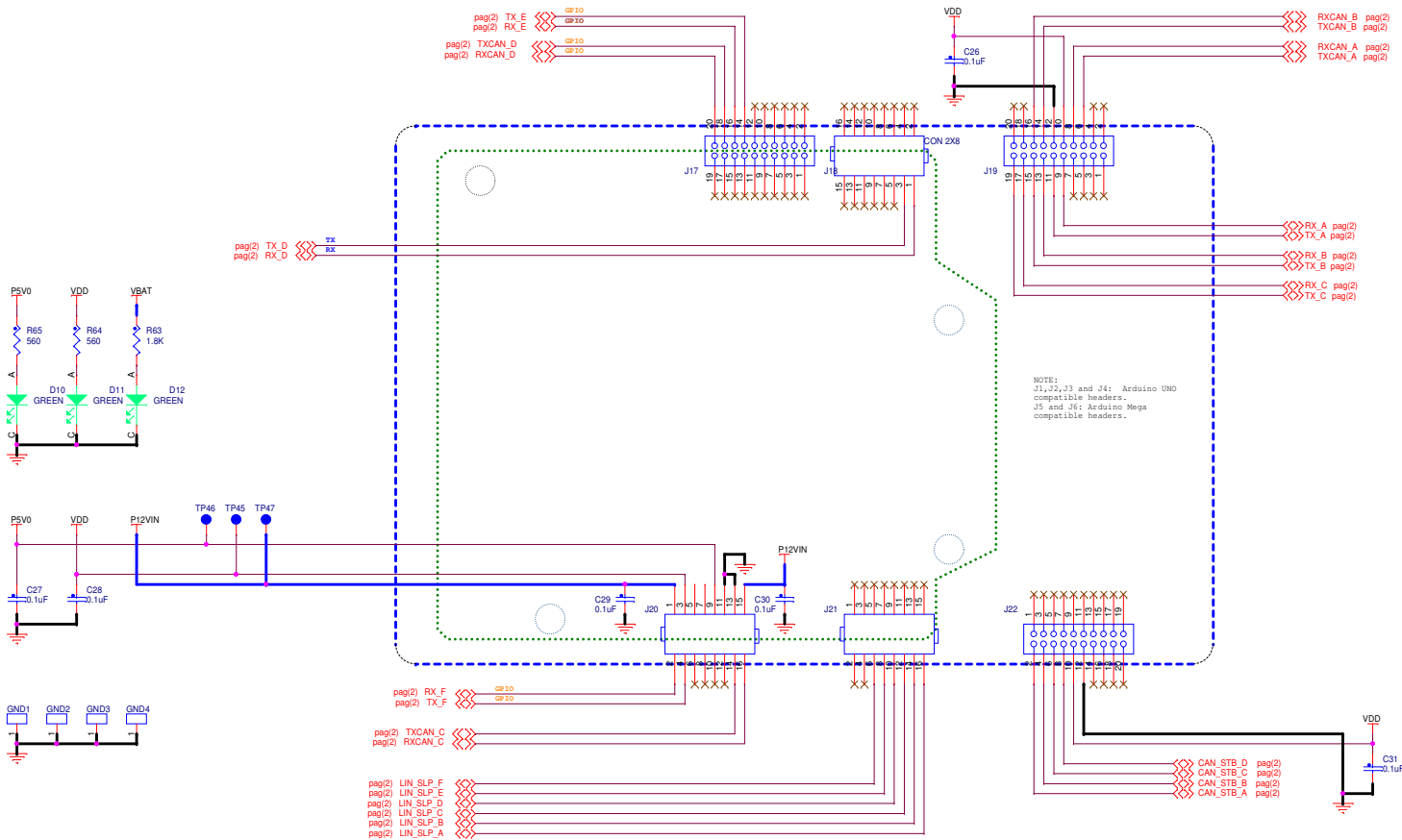
### Notes:


- All components and board processes are to be ROHS compliant
- All connectors and headers are denoted Jx/Px and are 2.54mm pitch unless otherwise stated
- All jumpers are denoted Jx.
- Jumper default positions are shown in the schematics. For 3 way jumpers, default is always position 1-2.
- 2 Pin jumpers generally have the "source" on pin 1.
- All switches are denoted SWx
- All test points (SMT wire loop style) are denoted TPx
- Test point Vias (just through hole pads) are denoted TPVx

		<b>Automotive Product Group</b> 6501 William Cannon Drive West Austin, TX 78735-8598	
This document contains information proprietary to NXP and shall not be used for engineering design, procurement or manufacture in whole or in part without the express written permission of NXP Semiconductors.			
ICAP Classification:		CP:	IUC: X PUBL:
Designer: Jesus Sanchez	Drawing Title: <b>DEVKIT-COMM</b>		
Drawn by: Jesus Sanchez	Page Title: <b>TITLE / NOTES</b>		
Approved: Juan Romero	Size B	Document Number SCH-29209 PDF: SPF-29209	Rev A
Date: Thursday, March 10, 2016		Sheet 1 of 3	



		<b>Automotive Product Group</b> 6501 William Cannon Drive West Austin, TX 78735-8586	
		<small>This document contains information proprietary to NXP and shall not be used for engineering design, procurement or manufacture in whole or in part without the express written permission of NXP Semiconductors.</small>	
Designer: Jesus Sanchez		ICAP Classification: CP IUD: X PUB:	
Drawn by: Jesus Sanchez		<b>DEVKIT-COMM</b>	
Approved: <Approver>		<b>CAN &amp; LIN</b>	
Size C	Document Number SCH-28209 PDF: SPF-28209	Rev A	
Date: Thursday, March 10, 2016		Sheet 2 of 3	



		<b>Automotive Product Group</b> 6501 William Cannon Drive West Austin, TX 78735-8586	
		<small>This document contains information proprietary to NXP and shall not be used for engineering design, procurement or manufacture in whole or in part without the express written permission of NXP Semiconductors.</small>	
Designer: Jesus Sanchez		ICAP Classification: CP: IUD: X PUB:	
Drawing Title: <b>DEVKIT-COMM</b>		Drawn by: Jesus Sanchez	
Approved: Juan Romero		Page Title: <b>I/O HEADERS</b>	
Size C	Document Number SCH-28209 PDF: SPF-28209	Rev A	Date: Thursday, March 10, 2016
Sheet 3 of 3			