

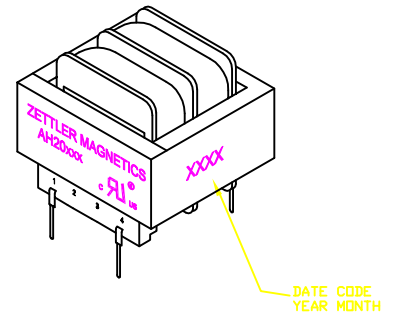
TRANSFORMER, POWER, PCB 1.1VA
SINGLE 115V PRIMARY AND DUAL SECONDARIES

1. ELECTRICAL SPECIFICATIONS:

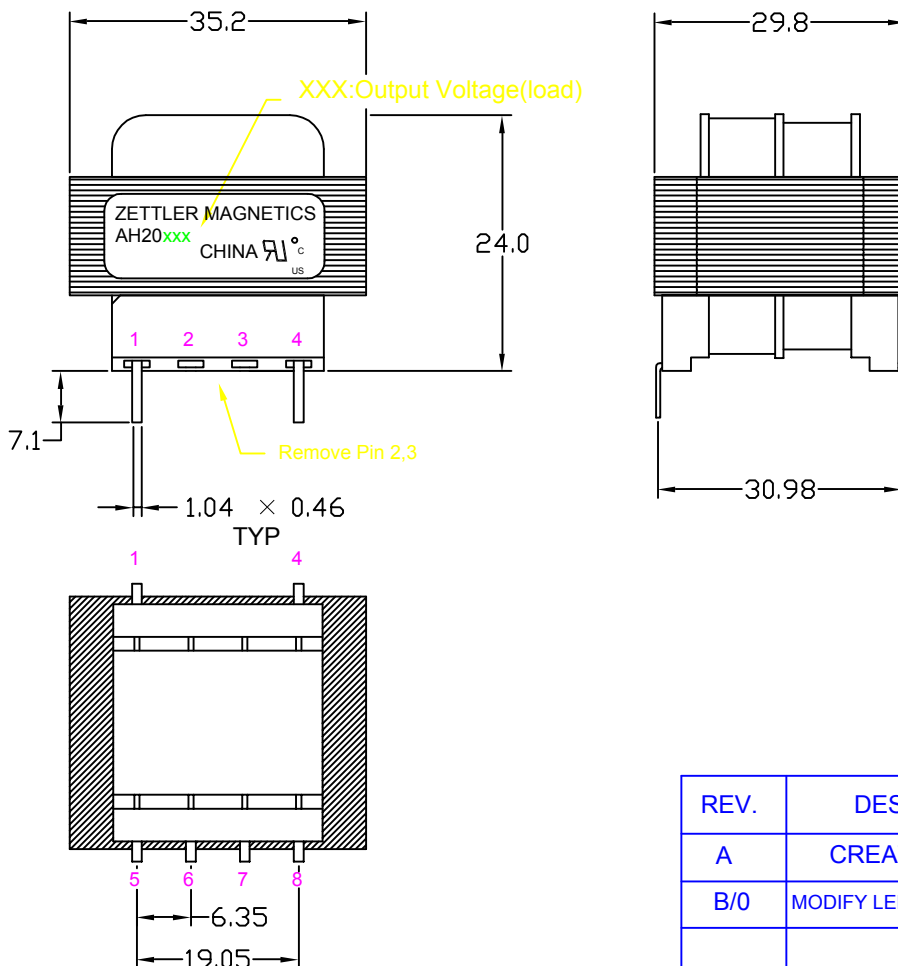
- A. Maximum Power: 1.1VA
- B. Primary Voltage and Frequency: 115V± 10% @ 50/60Hz
- C. Secondary Voltage: See Electrical Table
- D. Temperature Rise: 45° C MAX allowed
- E. Excitation Current: 25mA MAX
- F. Hi-Pot: 2500Vrms 1 minute @ Pri. to Sec.
1500Vrms 1 minute @ Pri. to Core
1500Vrms 1 minute @ Sec. to Core

G. Safety:

Insulation System ZM-130-5, Class B, UL File No.E177235
UL506, General Purpose, US and Canada, File No.E177998



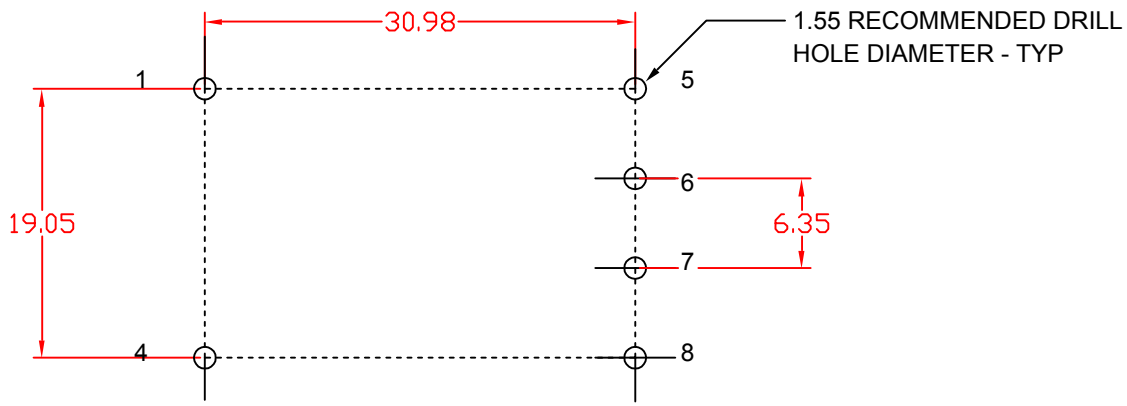
2. MECHANICAL SPECIFICATIONS:



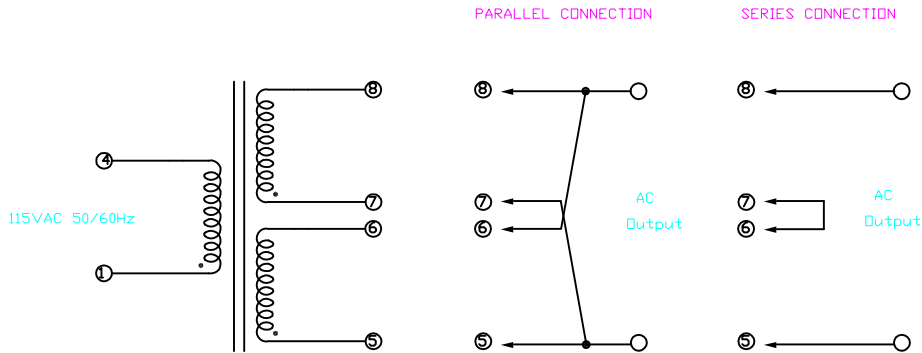
REV.	DESCRIPTION	DRAWN	DATE(M/D/Y)
A	CREATED DRAWING	ZHENG	June 17,2002
B/0	MODIFY LENGTHS OF THE PIN	ye	June 12,2006

TOLERANCE	SCALE NOT 1:1	UNIT mm	DATE (M/D/Y)	MODEL DESCRIPTION		
X	± 0.3	DRAWN	ye	ZETTLER MAGNETICS TITLE AH200series PCD		
X.X	± 0.2	CHECKED				MATERIAL Class B 130° C
X.XX	± 0.1	QC				MODEL: AH200series
THICKNESS	/	APPROVED				SHEET: 1 OF 2
REV.	B/0	E:\ACAD\AH200series\AH200seriesPCD				

3. MOUNTING FOOTPRINT:



4. SCHEMATIC DIAGRAM:



5. ELECTRICAL TABLE:

PART NO.	PARALLEL CONNECTION		SERIES CONNECTION	
	AC VOLTAGE	CURRENT	AC VOLTAGE	CURRENT
AH20010	5V	220mA	10V	110mA
AH20012	6.3V	180mA	12.6V	90mA
AH20016	8V	140mA	16V	70mA
AH20020	10V	110mA	20V	55mA
AH20024	12V	90mA	24V	45mA
AH20028	14V	80mA	28V	40mA
AH20036	18V	60mA	36V	30mA
AH20048	24V	46mA	48V	23mA
AH20056	28V	40mA	56V	20mA
AH20120	60V	18.3mA	120V	9.2mA

REV.	DESCRIPTION	DRAWN	DATE(M/D/Y)
A	CREATED DRAWING	ZHENG	June 17,2002
B/0	MODIFY LENGTHS OF THE PIN	ye	June 12,2006

TOLERANCE	SCALE NOT 1:1	UNIT mm	DATE (M/D/Y)	MODEL DESCRIPTION	
X	± 0.3	DRAWN	ye	ZETTLER MAGNETICS TITLE AH200series PCD	
X.X	± 0.2	CHECKED			
X.XX	± 0.1	QC			
THICKNESS	/	APPROVED			
REV.	B/0	E:\ACAD\AH200series\AH200seriesPCD		MATERIAL Class B 130° C MODEL: AH200series SHEET: 2 OF 2	