

0.551 [14.00] MAX
CABLE DIAMETER

GROUNDING
SCREW
(PHILLIPS)



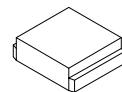
HOUSING
SCREW
(PHILLIPS)



MOUNTING
SCREW
(PHILLIPS)



SLOT
COVER

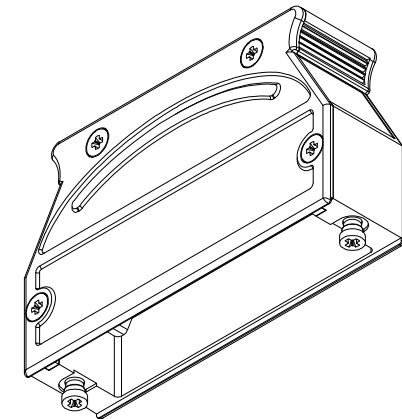


CABLE DIAMETER

0.551 [14.00] MAX

MATERIAL:

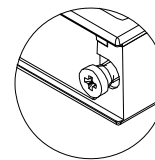
- BACKSHELL: ZINC ALLOY
- COVER: ZINC ALLOY
- MOUNTING SCREWS: STEEL, NICKEL PLATED
- HOUSING SCREWS: STEEL, ZINC PLATED
- GROUNDING SCREW: STEEL, ZINC PLATED
- CABLE SLOT COVER: ZINC ALLOY
- OPERATING TEMP: -55°C TO +90°C



BACKSHELL KIT INCLUDES:

- (1) BACKSHELL
- (1) BACKSHELL COVER
- (2) MOUNTING SCREWS
- (4) HOUSING SCREWS
- (1) GROUNDING SCREW
- (2) CABLE SLOT COVER

**SEE PAGE 2 FOR CABLE CLAMPS



Mounting screw(s) shown to the left will not mate with any NorComp current hardware options. Please refer to NorComp 975M Series product page for slide lock hardware options (purchased separately).

RoHS COMPLIANT

UNITS = inch [mm]

DO NOT SCALE FROM DRAWING



THESE DRAWINGS AND SPECIFICATIONS ARE THE PROPERTY OF NorComp AND SHALL NOT BE REPRODUCED, COPIED OR USED AS THE BASIS FOR THE MANUFACTURE OR SALE OF APPARATUS WITHOUT WRITTEN PERMISSION.

DRAWN:

M. SIGMON

DATE:

01/14/2014

NorComp

SCALE:
NTS

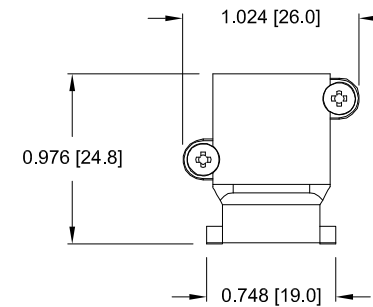
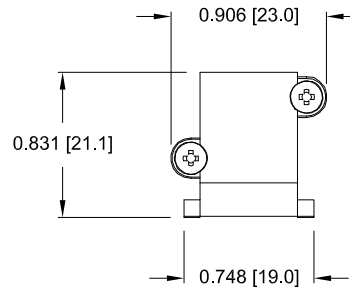
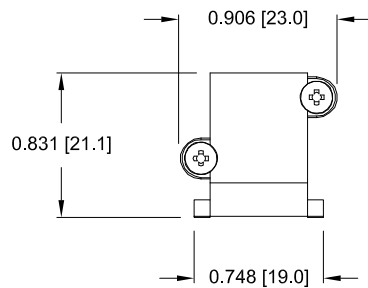
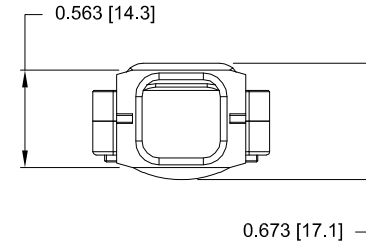
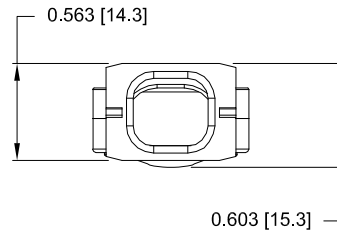
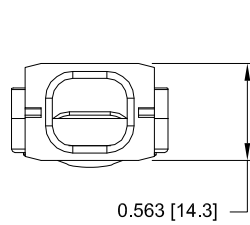
SHEET OF
1 OF 2

REV
2

DWG NO.

975M050-030R121

CABLE CLAMPS ORDERED SEPARATELY



P/N 955-50-SR-8-10
CABLE RANGE = 0.315 - 0.394

P/N 955-50-SR-11-14
CABLE RANGE = 0.433 - 0.551

P/N 955-50-SR-14-16
CABLE RANGE = 0.551 - 0.630

RoHS COMPLIANT

UNITS = inch [mm]

DO NOT SCALE FROM DRAWING



THESE DRAWINGS AND SPECIFICATIONS ARE THE PROPERTY OF NorComp AND SHALL NOT BE REPRODUCED, COPIED OR USED AS THE BASIS FOR THE MANUFACTURE OR SALE OF APPARATUS WITHOUT WRITTEN PERMISSION.

DRAWN:
M. SIGMON

DATE:
01/14/2014

NorComp

SCALE:
NTS

SHEET OF
2 OF 2

REV
2

DWG NO.

975M050-030R121