

LAYOUT SHOWN AS EXAMPLE

Keying Shown as example

CHARACTERISTICS

- Standard : Based on MIL-DTL-38999 Series III
- Shell Material : Aluminium
- Shell Plating : Nickel
- Insulator : Thermoplastic
- Contacts : Copper Alloy
- Seals & Grommet : Silicon Elastomer
- Contact Plating : Gold over copper Alloy 0.8µm minimum
- Durability : 500 Mating cycles
- Delivered without Souriau contacts
- Temperature Range : -65°C to +200°C
- Salt Spray : 48 hours
- Mass : 35.55 g ± 10%

Connector dimension	
Dim	Nominal
A	52.4±0.3
B	36.5+0.1/-0.15
R	32.5Max
S	49.2±0.4
W	3+0.9/-0.1
VV THREAD	M31x1-6g

SOURIAU shall not be liable for any non-conformity or damage due to a use of the Products which does not comply with the Specifications issued by either of the Parties or by a third party (professional recommendation, technical notice.)

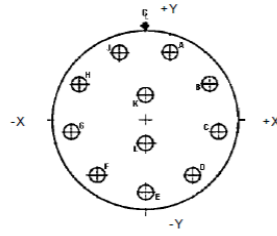
Country	Jurisdiction & Control List
FR	Not Listed

PN: 8D721F11PDL

A	08-11-2016	First Release	
ISS	DATE	Latest modification - by	MOD N°
Designed By:		Date:	CUSTOMER DRAWING
TITLE	Aluminium Receptacle 8D series		
SCALE	NA	General linear Tolerances: ±--	NPRDS / PROJECT 859
SOURIAU	WWW.SOURIAU.COM		This document is the property of SOURIAU it must not be reproduced or communicated without permission
FORMAT	A3		SOURIAU DRG N° 8D721F11PDL-C
			SHEET 1/2

BASIC SERIES:	8D	7	-	21	F	11	P	D	L	Delivered W/O Contacts
SHELL TYPE :	Jam nut Receptacle									ORIENTATION : D
CONTACT TYPE :	Standard Crimp Contact									CONTACT TYPE : PIN(500 Matings)
SHELL SIZE :	21									CONTACT LAYOUT : 21-11
PLATING :	F = Nickel									

Contact Layout

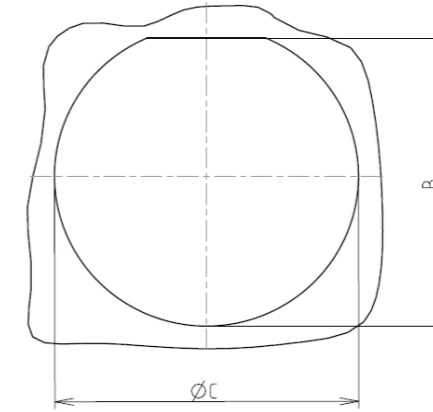


Contacts (Insert arrangement 21-11)					
Contact position ID	Location		Contact position ID	Location	
	X-axis (mm)	Y-axis (mm)		X-axis (mm)	Y-axis (mm)
A	+121 (3.07)	+332 (8.43)	G	-348 (8.84)	-061 (1.55)
B	+306 (7.77)	+177 (4.50)	H	-306 (7.77)	+177 (4.50)
C	+348 (8.84)	-061 (1.55)	J	-121 (3.07)	+332 (8.43)
D	+227 (5.77)	-270 (6.86)	K	+000 (0.00)	+123 (3.12)
E	+000 (0.00)	-353 (8.97)	L	+000 (0.00)	-115 (2.92)
F	-227 (5.77)	-270 (6.86)	---	---	---

Shell size	Arrangement no.	Number of contacts	Size contacts	Service rating	Contact location	Supersedes
21	-11	11	12	I	All	MS20055-11

Panel cutout

JAM NUT RECEPTACLE (TYPE 7)



Max. thickness panel for receptacle: Type 7: 3.2 mm

Dim	Nominal
B	37.08+0/-0.25
ØC	38.35+0.25/-0

SOURIAU shall not be liable for any non-conformity or damage due to a use of the Products which does not comply with the Specifications issued by either of the Parties or by a third party (professional recommendation, technical notice.)

Country	Jurisdiction & Control List
FR	Not Listed

PN: 8D721F11PDL

A	08-11-2016	First Release	
ISS	DATE	Latest modification - by	MOD N°
Designed By:		Date:	CUSTOMER DRAWING
TITLE	Aluminium Receptacle 8D series		
SCALE		General linear Tolerances:	NPRDS / PROJECT
NA		±--	859
SOURIAU	WWW.SOURIAU.COM		This document is the property of SOURIAU it must not be reproduced or communicated without permission
FORMAT	SOURIAU DRG N° 8D721F11PDL-C		SHEET 2/2