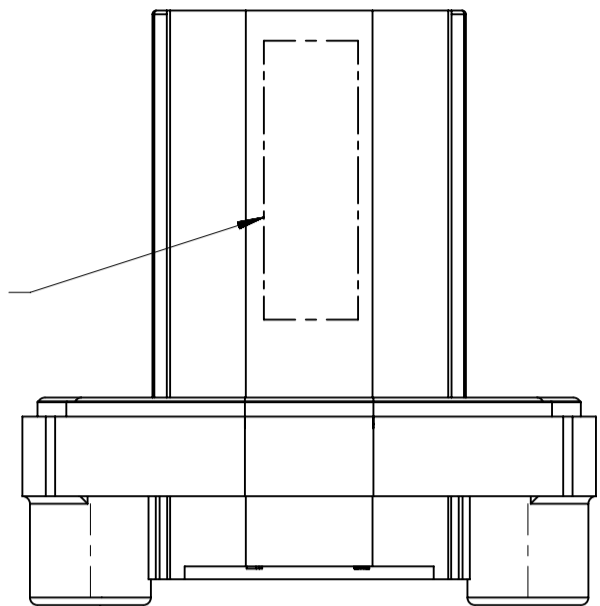
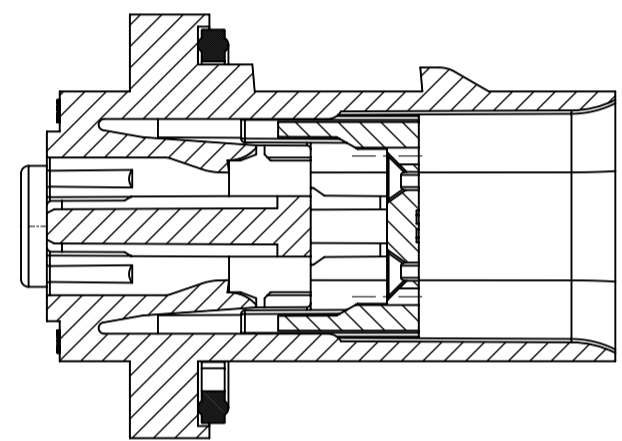


CIRCUIT SIZE	PART NUMBER	KEYING OPTION	COLOR	DIMENSIONS		STATUS
				A	B	
2X3	1480280601	A	BLACK	60	60	PLANNED OBSOLESCENCE
	1480280602	B	LIGHT GRAY	25	60	PLANNED OBSOLESCENCE
	1480280603	C	DARK GRAY	60	25	PLANNED OBSOLESCENCE
	1480280604	D	STONE GRAY	25	25	PLANNED OBSOLESCENCE
	1480286001	A	BLACK	60	60	SALEABLE
	1480286002	B	LIGHT GRAY	25	60	SALEABLE
	1480286003	C	DARK GRAY	60	25	SALEABLE
	1480286004	D	STONE GRAY	25	25	SALEABLE
2X4	1480280801	A	BLACK	60	60	PLANNED OBSOLESCENCE
	1480280802	B	LIGHT GRAY	25	60	PLANNED OBSOLESCENCE
	1480280803	C	DARK GRAY	60	25	PLANNED OBSOLESCENCE
	1480280804	D	STONE GRAY	25	25	PLANNED OBSOLESCENCE
	1480288001	A	BLACK	60	60	OK TO TOOL
	1480288002	B	LIGHT GRAY	25	60	OK TO TOOL
	1480288003	C	DARK GRAY	60	25	OK TO TOOL
	1480288004	D	STONE GRAY	25	25	OK TO TOOL

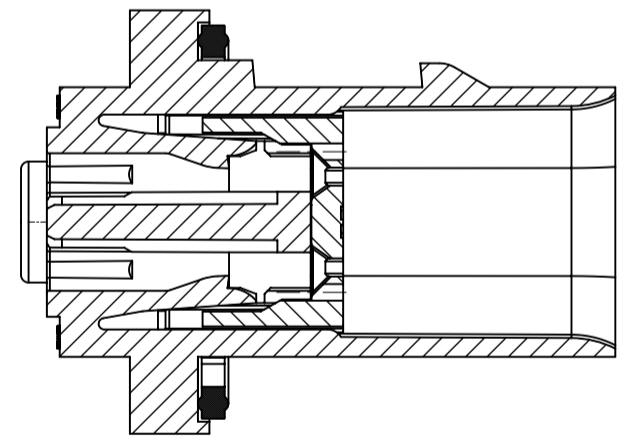
QUALITY SYMBOLS ▽ = 0 ▽ = 0 ▽ = 0 ▼ = 0 ▽ = 0 ⊠ = 0 ■ = 0 ▽ = 0	THIS DRAWING CONTAINS INFORMATION THAT IS PROPRIETARY TO MOLEX ELECTRONIC TECHNOLOGIES, LLC AND SHOULD NOT BE USED WITHOUT WRITTEN PERMISSION		GENERAL TOLERANCES (UNLESS SPECIFIED) DIMENSION UNITS: mm SCALE: 1:1	
	DRWN BY: CDZHANG DATE: 2014/06/23	DRWN BY: CDZHANG DATE: 2014/06/23	DRWN BY: CDZHANG DATE: 2014/06/23	
	CHKD BY: JDENG02 DATE: 2014/12/19	CHKD BY: JDENG02 DATE: 2014/12/19	CHKD BY: JDENG02 DATE: 2014/12/19	
	APPR BY: CBQIU DATE: 2015/03/30	APPR BY: CBQIU DATE: 2015/03/30	APPR BY: CBQIU DATE: 2015/03/30	
EC NO: 601209 DRWN: WKHE CHKD: JDENG02 REV: APPR: JDENG02	D3	DRAFT WHERE APPLICABLE MUST REMAIN WITHIN DIMENSIONS	DRAWING SIZE: A2 THIRD ANGLE PROJECTION	PRODUCT CUSTOMER DRAWING
RELEASE STATUS: P1 RELEASE DATE: 2018/07/19 19:06:45	SERIES: 148028 MATERIAL NUMBER: ON SHEET 2 DOCUMENT NUMBER: SD-148028-001	CUSTOMER: GENERAL MARKET DOC TYPE: PSD DOC PART: 001 SHEET NUMBER: 2 OF 3		



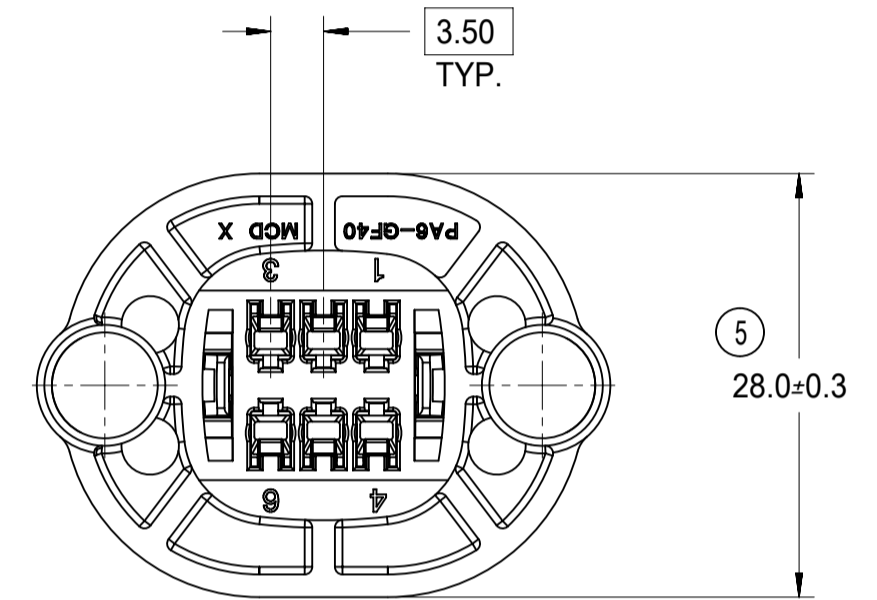
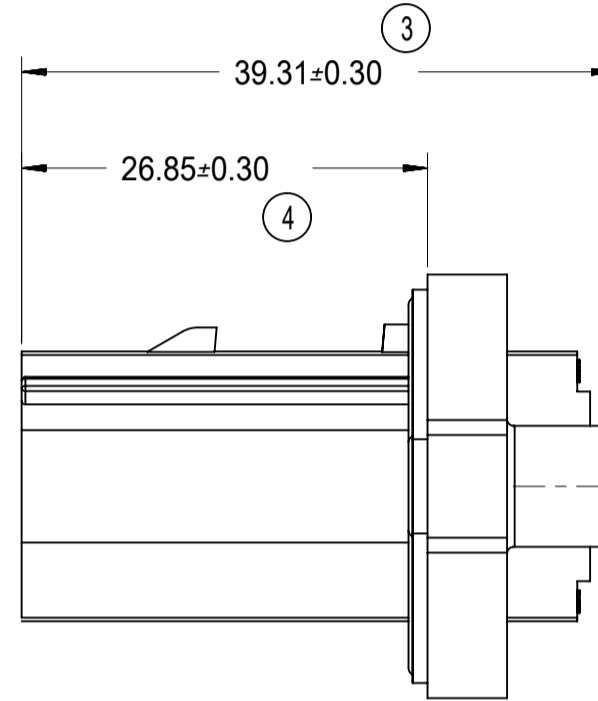
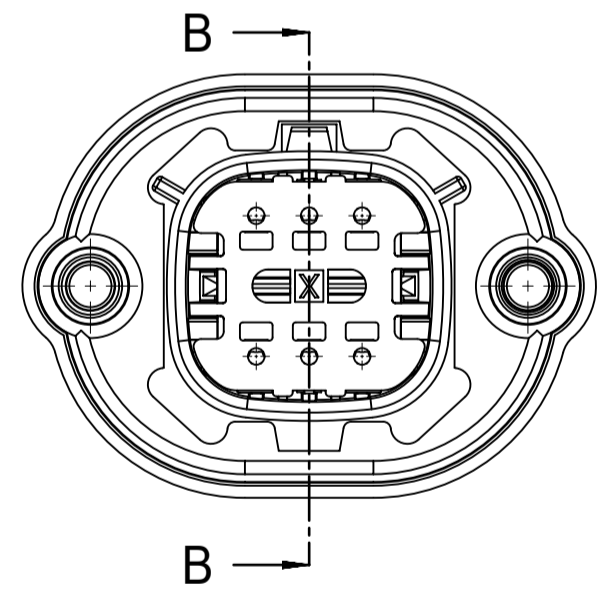
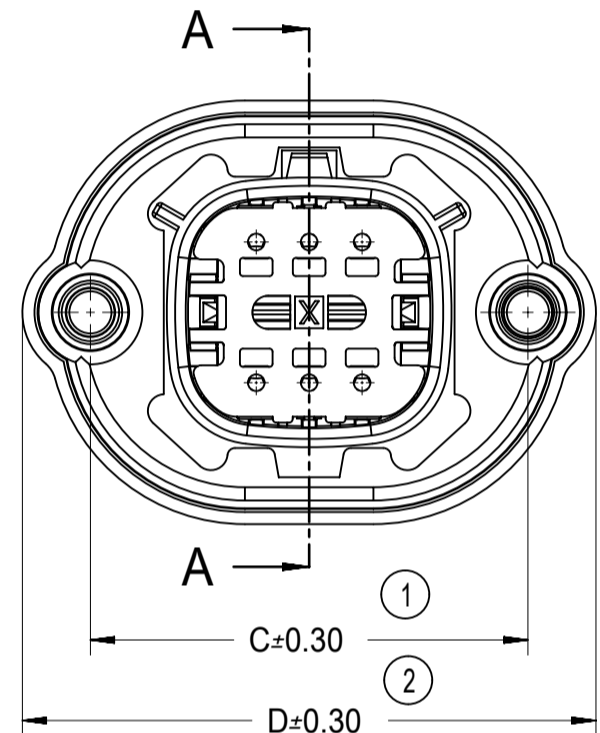
TRACEABILITY INFORMATION  
LOCATION IN THIS AREA



**SECTION A-A**  
(TPA SHOWN IN PRE-LOCK POSITION  
FOR REFERENCE ONLY)



**SECTION B-B**  
(TPA SHOWN IN FINAL-LOCK POSITION  
FOR REFERENCE ONLY)



CIRCUIT SIZE	DIMENSION	
	C	D
2X3	28.94	37.94
2X4	32.44	41.44

<b>QUALITY SYMBOLS</b> ▽ = 0 ▽ = 0 ▽ = 0 ▼ = 0 ▽ = 0 ⊠ = 0 ■ = 0 ▽ = 0	THIS DRAWING CONTAINS INFORMATION THAT IS PROPRIETARY TO MOLEX ELECTRONIC TECHNOLOGIES, LLC AND SHOULD NOT BE USED WITHOUT WRITTEN PERMISSION		<b>GENERAL TOLERANCES (UNLESS SPECIFIED)</b> DIMENSION UNITS: mm SCALE: 1:1 ANGULAR TOL ±	<b>DRWN BY</b> CDZHANG <b>DATE</b> 2014/06/23	<p><b>MX150 DUAL ROW PANEL MOUNT CONNECTOR</b></p> <p>PRODUCT CUSTOMER DRAWING</p>
	EC NO: 601209 DRWN: WKHE CHK'D: JDENG02 REV: APPR: JDENG02	2018/07/10 2018/07/19 2018/07/19	4 PLACES ± 3 PLACES ± 2 PLACES ± 1 PLACE ± 0 PLACES ±	<b>CHK'D BY</b> JDENG02 <b>DATE</b> 2014/12/19	
	<b>D3</b>	<b>DRAFT WHERE APPLICABLE MUST REMAIN WITHIN DIMENSIONS</b>	<b>APPR BY</b> CBQIU <b>DATE</b> 2015/03/30	SERIES: 148028 MATERIAL NUMBER: ON SHEET 2 CUSTOMER: GENERAL MARKET	
	DRAWING SIZE: A2 THIRD ANGLE PROJECTION	DOCUMENT NUMBER: SD-148028-001 DOC TYPE: PSD DOC PART: 001 SHEET NUMBER: 3 OF 3			