

# Housing - HC-HPR-D07-HHWH-1TTM25-EM-BK - 1424639

Please be informed that the data shown in this PDF Document is generated from our Online Catalog. Please find the complete data in the user's documentation. Our General Terms of Use for Downloads are valid (<http://phoenixcontact.com/download>)




Sleeve housing D7, with hexagonal slotted-head screw, material: Zinc die-cast, cable outlets: 1, straight, height: 60 mm, cable gland: none, support sleeve: no, 1x M25, protective cover: no, Railway applications, for increased environmental and EMC requirements, Series HPR

## Your advantages

- Vibration and shock: IEC 61373/EN 50155, category 1, class 1B



## Key Commercial Data

Packing unit	1 pc
GTIN	 4 055626 375687
GTIN	4055626375687

## Technical data

### Dimensions

Height	60 mm
Width	32.4 mm
Length	45.5 mm

### Ambient conditions

Degree of protection (IP)	IP66 (with sealing screw)
	IP68 (0.4 bar / 30 min. with sealing screw)
	IP69K ()
Ambient temperature (operation)	-40 °C ... 125 °C

### General

Note	for contact inserts HC-D7, D8, A3, A4, HS2-D7, Q5, Q7, Q12
Size	D7
Housing type	Sleeve housing
Color	black
Locking type	with hexagonal slotted-head screw

# Housing - HC-HPR-D07-HHWH-1TTM25-EM-BK - 1424639

## Technical data

### General

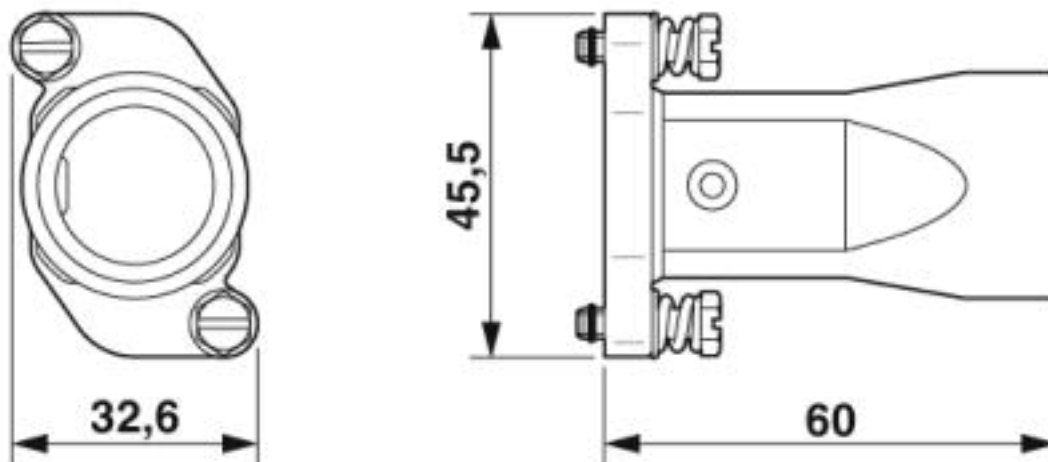
Torque	1 Nm (Locking screw)
No. of cable outlets	1
Cable outlet	straight
Screw connection	none
Type of the screw connection	1x M25
Protective cover	no
Material	Zinc die-cast
Housing material	Zinc die-cast
Housing surface material	Powder-coated, black
Material of locking screw	Stainless steel
Assembly instructions	M4 locking screw, slotted hexagon head screw (wrench size 7), tightening torque: 1 Nm
Connection	Mount contact insert with sealing screw in the housing

### Environmental Product Compliance

China RoHS	Environmentally friendly use period: unlimited = EFUP-e
	No hazardous substances above threshold values

## Drawings

Dimensional drawing



Dimensional drawing

## Approvals

### Approvals

# Housing - HC-HPR-D07-HHWH-1TTM25-EM-BK - 1424639

## Approvals

Approvals


EAC

---

Ex Approvals

---

## Approval details

EAC		EAC-Zulassung
-----	---	---------------

---

Phoenix Contact 2019 © - all rights reserved  
<http://www.phoenixcontact.com>

PHOENIX CONTACT GmbH & Co. KG  
Flachsmarktstr. 8  
32825 Blomberg  
Germany  
Tel. +49 5235 300  
Fax +49 5235 3 41200  
<http://www.phoenixcontact.com>