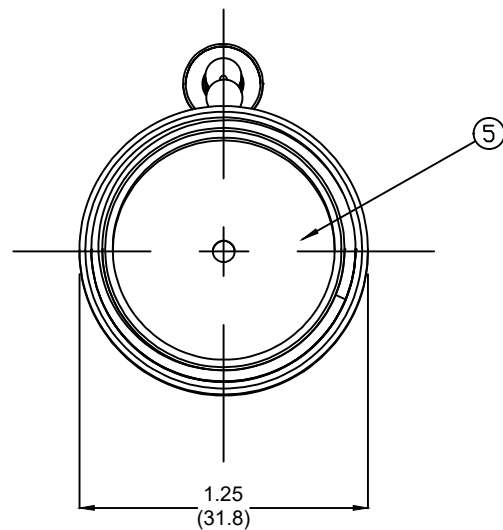
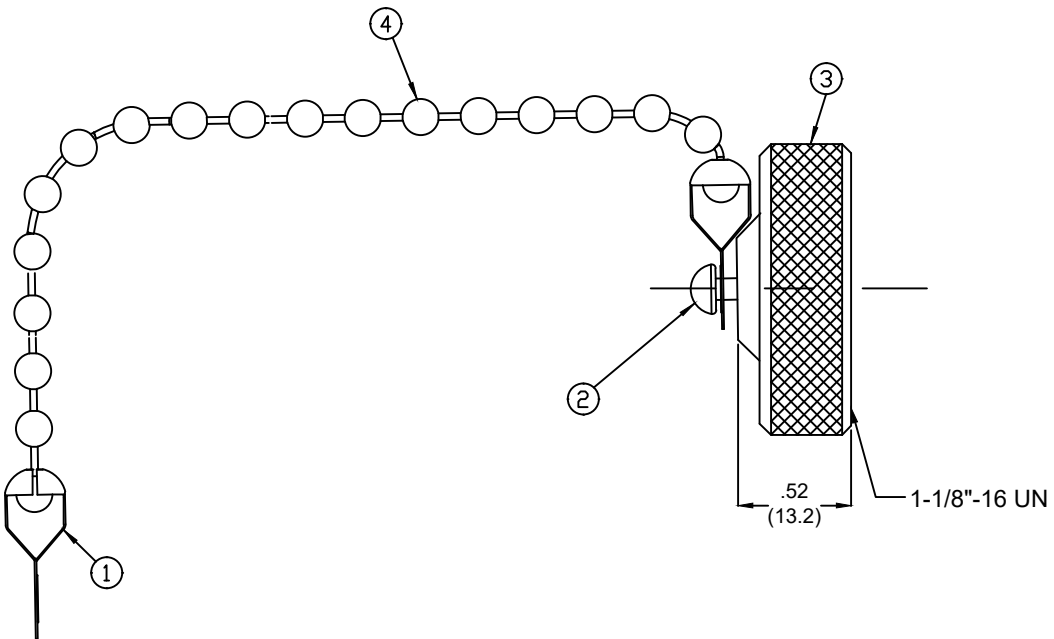
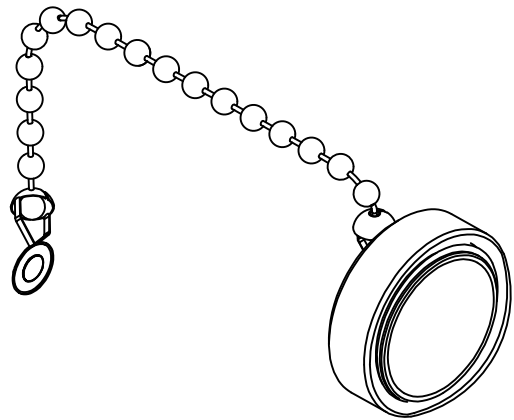


6	5
PART NUMBER	OLD PART NUMBER
1302011121	65-0105SS



-	COMPONENT	MATERIAL	FINISH
1	BEAD CHAIN FITTING (1/8IN.)	STEEL	NICKEL PLATED
2	.187 SCREW	STAINLESS STEEL	PASSIVATED
3	CLOSURE CAP	STAINLESS STEEL	PASSIVATED
4	BEAD CHAIN	STEEL	NICKEL PLATED
5	GASKET	NEOPRENE	BLACK

SYMBOLS	THIS DRAWING CONTAINS INFORMATION THAT IS PROPRIETARY TO MOLEX ELECTRONIC TECHNOLOGIES, LLC AND SHOULD NOT BE USED WITHOUT WRITTEN PERMISSION			
	DIMENSION UNITS	SCALE	CURRENT REV DESC: REMOVED LOOP IN BEAD CHANGE, UPDATED PER LATEST ACAD STD'S	
∇ = 0	INCH/MM	1:1	EC NO: 624356	
∇ = 0	GENERAL TOLERANCES (UNLESS SPECIFIED)			
∇ = 0		mm	INCH	DRWN: JCAPPOZZO 2019/09/18
∇ = 0	4 PLACES	±----	±----	CHK'D: MZIELINSKI 2019/09/19
∇ = 0	3 PLACES	±0.005	±0.005	APPR: BWOODMAN 2019/09/19
∇ = 0	2 PLACES	±----	±0.01	INITIAL REVISION:
∇ = 0	1 PLACE	±----	±0.02	DRWN: TVICKERS 2009/08/21
∇ = 0	0 PLACES	±----	±----	APPR: DTITUS 2009/08/26
∇ = 0	ANGULAR TOL ± 0.5 °		THIRD ANGLE PROJECTION	
∇ = 0	DRAFT WHERE APPLICABLE MUST REMAIN WITHIN DIMENSIONS		DRAWING	SERIES
∇ = 0			A-SIZE	130201

molex		CLOSURE CAP ASSEMBLY	
PRODUCT CUSTOMER DRAWING			
DOCUMENT NUMBER	DOC TYPE	DOC PART	REVISION
SD-130201-0235	PSD	001	C
MATERIAL NUMBER	CUSTOMER	SHEET NUMBER	
SEE P/N TABLE	GENERAL MARKET	1 OF 1	

DOCUMENT STATUS	P1	RELEASE DATE	2019/09/19	22:39:18
-----------------	----	--------------	------------	----------