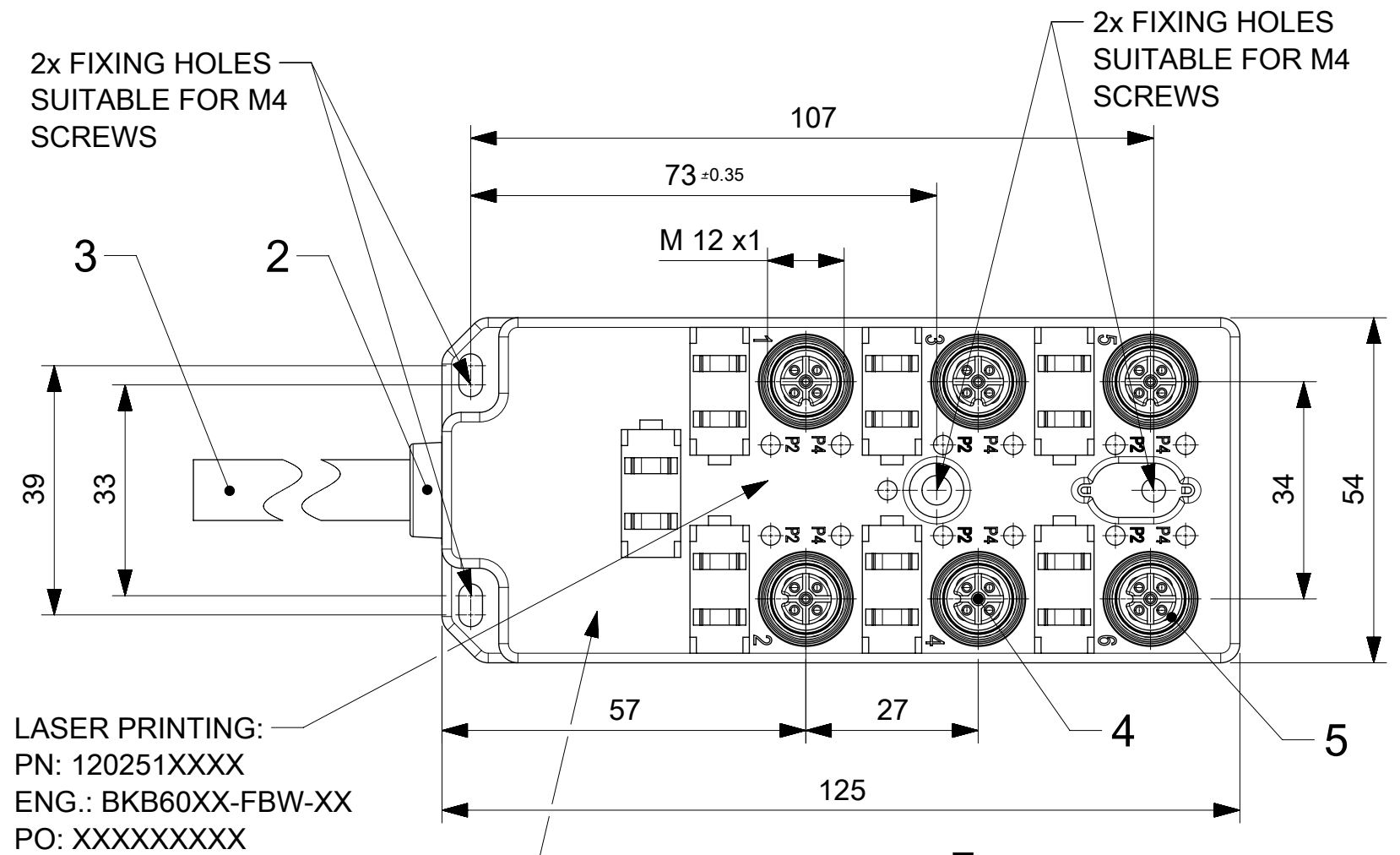


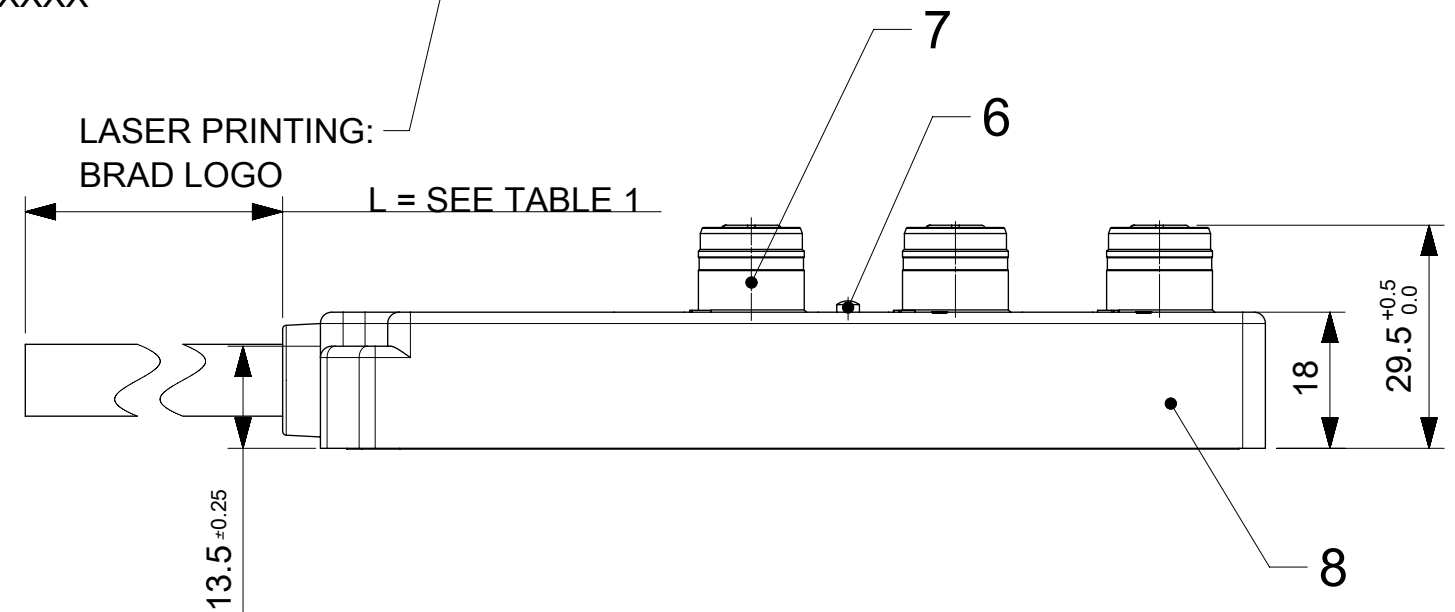
**TABLE 1 DUAL WIRED**

MOLEX P/N	ENG. NO.	CABLE LENGTH (mm)	LED
1202510037	BKB6050-FBW-05	5000	NO
1202510038	BKB6050-FBW-10	10000	NO
1202510039	BKB6050-FBW-15	15000	NO
1202510040	BKB605P-FBW-05	5000	YES
1202510041	BKB605P-FBW-10	10000	YES
1202510042	BKB605P-FBW-15	15000	YES
1202510043	BKB605N-FBW-05	5000	YES
1202510044	BKB605N-FBW-10	10000	YES
1202510045	BKB605N-FBW-15	15000	YES



**TABLE 2 BILL OF MATERIAL**

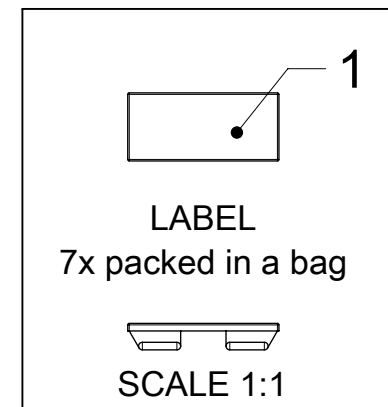
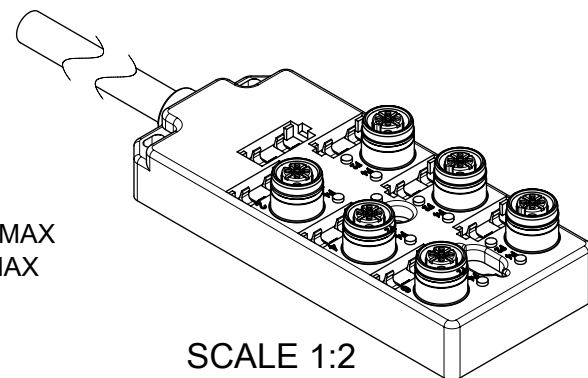
ITEM	DESCRIPTION	MATERIAL	FINISH
1	LABEL	ABS	WHITE
2	CABLE PLATE	PBT	BLACK
3	CABLE	TPU BASED	BLACK
4	CONTACT	BRONZE	GOLD OVER NICKEL
5	O-RING	FPM	RED
6	LED DUAL WIRED	NO LED = PA	BLACK
		WITH LED = PA	TRANSPARENT
7	SHELL	BRASS	NICKEL PLATED
8	HOUSING	PBT	BLACK



**GENERAL CHARACTERISTICS:**

ELECTRICAL AND MECHANICAL DATA ACC. TO IEC 61076-2-101

NOMINAL VOLTAGE: 10-30 V DC  
 AMPERE RATING: 4 A PER PORT / 12 A MAX  
 AMPERE RATING WITH UL REGISTRATION: 3 A PER PORT / 9 A MAX  
 IP DEGREE OF PROTECTION: IP 67  
 TEMPERATURE RANGE: -25°C to + 85°C



SYMBOLS		THIS DRAWING CONTAINS INFORMATION THAT IS PROPRIETARY TO MOLEX ELECTRONIC TECHNOLOGIES, LLC AND SHOULD NOT BE USED WITHOUT WRITTEN PERMISSION	
DIMENSION UNITS	SCALE	CURRENT REV DESC: INITIAL RELEASE	
mm	1:1	<b>molex</b> MPIS U12 NON 5P 6PT BK 5M DUAL	
GENERAL TOLERANCES (UNLESS SPECIFIED)			
ANGULAR TOL	± 1.0°	EC NO: 631635 DRWN: MDHARMANTI 2020/01/27 CHK'D: RSILLER 2020/02/05 APPR: RSILLER 2020/02/05	
4 PLACES	±	INITIAL REVISION: DRWN: SSM 2018/12/03 APPR: RSILLER 2020/01/17	
3 PLACES	±	PRODUCT CUSTOMER DRAWING DOCUMENT NUMBER: 1202510037 DOC TYPE: PSD DOC PART: 000 REVISION: A1	
2 PLACES	± 0.05	MATERIAL NUMBER: 120251 CUSTOMER: GENERAL MARKET	
1 PLACE	± 0.3	SHEET NUMBER: 1 OF 2	
0 PLACES	± 0.5	DRAFT WHERE APPLICABLE MUST REMAIN WITHIN DIMENSIONS	
THIRD ANGLE PROJECTION		DRAWING: A3-SIZE SERIES: 120251	

